

Main Specifications

- ▼ **Size**
4" , 6"
- ▼ **Installation type**
Bottom mount (A) /
Bottom mount with flange (B) /
Back mount (Eccentric thread)
(ADE) /
Back mount with flange (BDC) /
Back mount with flange
(Eccentric thread) (BDE)
- ▼ **Window**
PC / Glass
- ▼ **Pressure connection**
Material: SS304
1/2" NPT
- ▼ **Thread hole pitch**
54mm (option: 37mm)
- ▼ **Differential pressure range**
0...6 to 600 bar
- ▼ **Applicable fluid**
Non-crystallized or non-
solidified liquid and gas that
compatible with SS304
- ▼ **Ambient temperature**
-20°C to 60°C
- ▼ **Fluid temperature**
+80°C
- ▼ **Protection level**
IP54

Other Specifications

- ▼ **Ring**
Stainless steel
- ▼ **Case**
SS 304
- ▼ **Pointer**
Outer scale pointer:
Aluminum with black enamel
Inner scale pointer:
Aluminum with red enamel
- ▼ **Dial face**
White dial face, all black scale
Single/dual scale design
- ▼ **Measuring elements**
Dual Bourdon tubes
(Left-right side)
Material: SS304
- ▼ **Movement**
Stainless steel
- ▼ **Accuracy**
1.6%
- ▼ **Operating pressure**
Stabilization: 0.75* full scale



All Stainless Steel Differential Pressure Gauge (Dual Pointers & Bourdon Tubes Type) Model: MDB-DPDB-SUS Introduction

MDB-DPDB-SUS pressure gauge adopts dual Bourdon tubes as pressure sensor with dual pointers design. With its single or dual scales, MDB-DPDB-SUS can display readings from two different pressure sources at the same time.

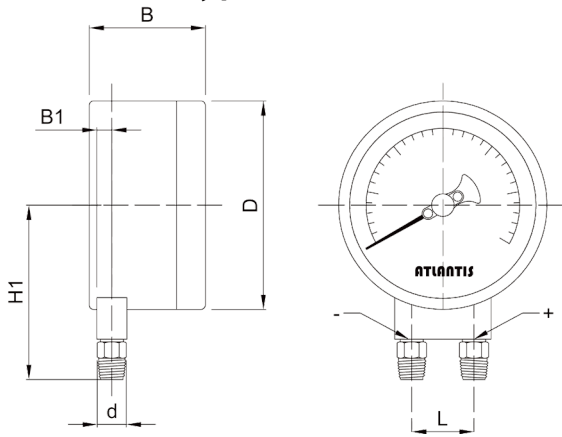


Due to the variety of customization, the picture is only for reference, please confirm the actual item with our sales. (If there is any change on specification, please take the latest version as standard.)

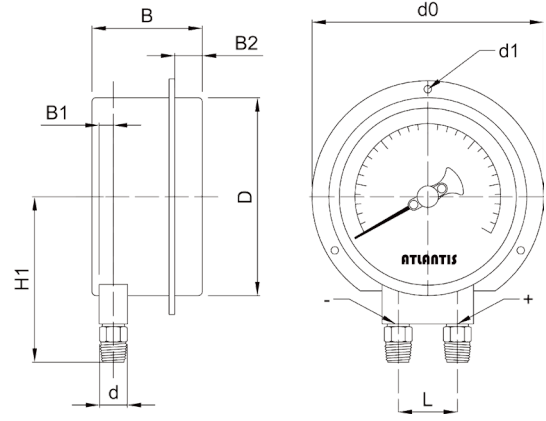
Features

- OEM service
- All stainless steel differential pressure gauge with dual pointers and Bourdon tubes
- Single / dual scale design - display pressure readings from two different sources at the same time
- Various installation types
- Install a switch contact, diaphragm seal or armored capillary (option)

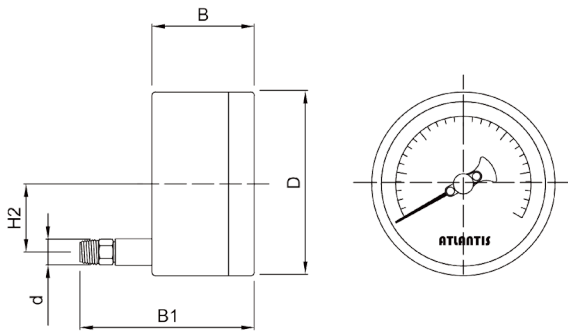
Installation type



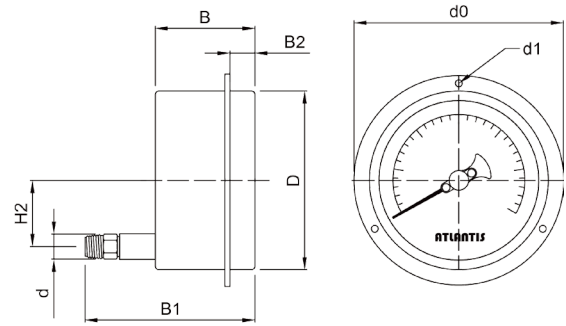
Bottom mount



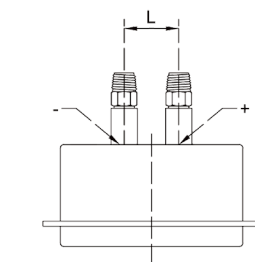
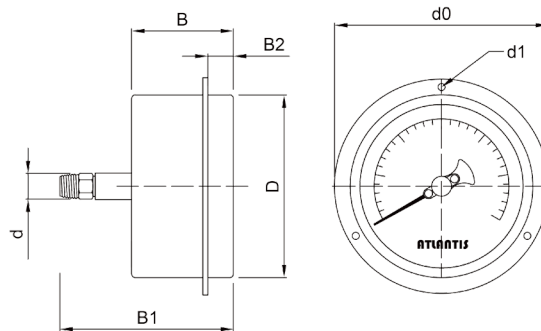
Bottom mount with back flange



Back mount (Eccentric thread)



Back mount with flange (Eccentric thread)



Back mount with flange

How to order

MDB-DPDB-SUS All Stainless Steel Differential Pressure Gauge (Dual Pointers & Bourdon Tubes Type)												
Std.	Spec.	Code	Item	Code	Item	Code	Item	Code	Item	Code	Item	
04	Size	04	4	06	6"	—	—	—	—	—	—	
A	Installation type	A	Bottom mount	B	Bottom mount with flange	ADE	Back mount (Eccentric thread)	BDC	Back mount with flange	BDE	Back mount with flange (Eccentric thread)	
304	Connection material	304	SS304	316	SS316	316L	SS316L	O	Others (please specify)	—	—	
304	Bourdon tube material	304	SS304	316	SS316	316L	SS316L	M400	Monel 400	O	Others (please specify)	
4	Thread size	4	1/2"	O	Others (please specify)	—	—	—	—	—	—	
N	Thread type	N	NPT	O	Others (please specify)	—	—	—	—	—	—	
54	Thread hole pitch	54	54mm	37	37mm	O	Others (please specify)	—	—	—	—	
A	Accuracy	A	1.6%	B	2.5%	—	—	—	—	—	—	
Custom	Pressure range	0...6 to 600 bar Pressure unit on dial face: kg/cm ² , bar, psi, Pa, kPa, MPa, atm (other pressure unit available upon request) Single / dual scale e available										
/D	Other requests	/A	Third party notarized document				/B	Inspection report				
		/C	Tag				/D	Customized dial face (scale, color, unit, etc.)				
		/E	Case material SS316				/F	Peak hold pointer				
		/G	Install a diaphragm seal				/H	Install a switch contact				
		/I	Internal stop pin for overpressure protection				/J	Epoxy coating				
		/K	Blow out back				/L	Anti-splash process (window and ring sealed with O-ring)				
		/M	Dampened movement				/N	Install an armored capillary				

Order example: MDB-DPDB-SUS - 04 - A - 304 - 304 - 4 - N - 54 - A - (0...25bar) + /D