

Main Specifications

▼ **Connection**
Clamp type 1.5" , 2" , 2.5"

▼ **Electrical connector**
Hirschmann connector / Aviation plug

▼ **Pressure range**
0...50 kPa to 2.5 MPa

▼ **Applicable fluid**
Liquid and gas that compatible with SS316L

▼ **Working temperature**
-5 to 50°C

▼ **Storage temperature**
-5 to 55°C

▼ **Relative humidity**
0%~95%

▼ **Protection level**
IP 65

Other Specifications

▼ **Case**
SS304

▼ **Diaphragm**
SS316L

▼ **Output signal**
4~20mA

▼ **Zero & span drift**
±20% of output range

▼ **Accuracy**
±0.25% F.S. / ±0.5% F.S.
±0.1% F.S

▼ **Stability**
±0.25% F.S. /year

▼ **Working voltage**
14~36VDC
Standard 24VDC±5%, ripple: than 1%

▼ **Impact of power supply**
Less than 0.01% / V of output range

▼ **Load resistance**
 $(R=(U-14) / 0.02-RD)$
U: voltage
RD: cable inner resistance

▼ **Impact of temperature**
±2.5%F.S. (0.25 class)
±5.0%F.S. (0.50 class)

▼ **Overpressure**
1.5*F.S.

Sanitary clip-on level pressure transmitter

Model: PT+DS500

Introduction

PT+DS500 Sanitary Clip Type Liquid Level Pressure Transmitter is applied specially in the field of Medicine, beer, milk, etc. Its core part is delicate sensor of high precision & stability, which is completely complied with medicine, food criterion. The product is designed to level film structure and multiplicate down-leads, which could meet requirements of user farthest, in particular suitable for food, pharmacy, drink and biology goods.

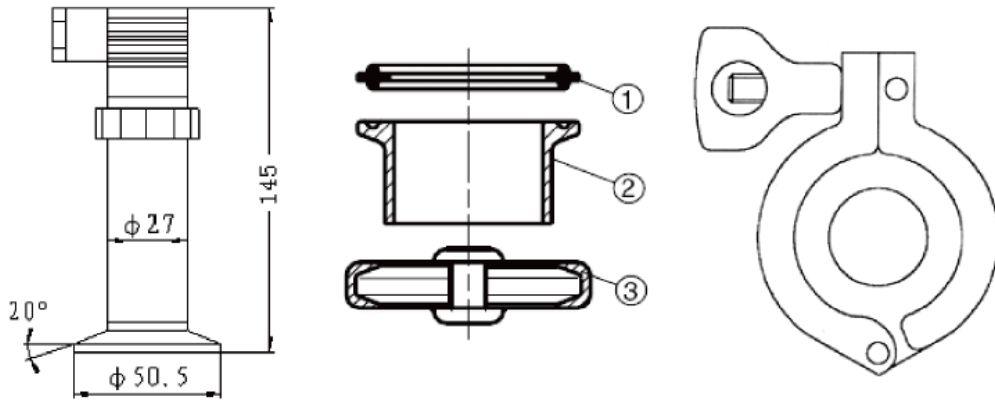


Due to the variety of customization, the picture is only for reference, please confirm the actual item with our sales. (If there is any change on specification, please take the latest version as standard.)

Features

- OEM service
- Sensor is closed off from measuring media by stainless steel ripple and is very sanitary
- Protection of reverse polarity and current limit
- Radial-resistant, multiplicate output signal, zero and full scale adjustable
- Compact design, pretty, cheap but high quality
- High precision, stability, reliability
- Transmitter is mounted with SUS316 bayonet dial, filled with sanitary oil

Dimension



Connection	1.5"	2"	2.5"
Diameter	Φ50.5	Φ64	Φ77.5

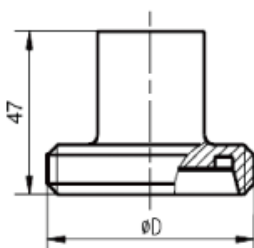
Unit: mm

DIN 11851FF

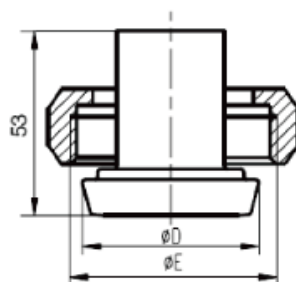
DIN 11851FL

SMS 1145FF

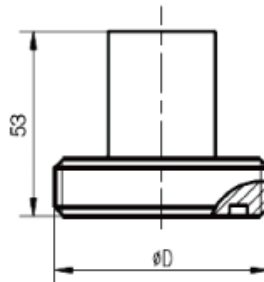
SMS 1145FL



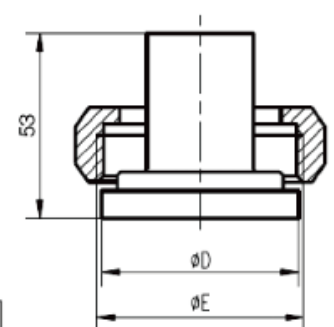
DN	̸D	Bar
DN32	58x1/6"	0.6 ≤ P ≤ 40
DN40	65x1/6"	0.4 ≤ P ≤ 40
DN50	78x1/6"	0.25 ≤ P ≤ 40



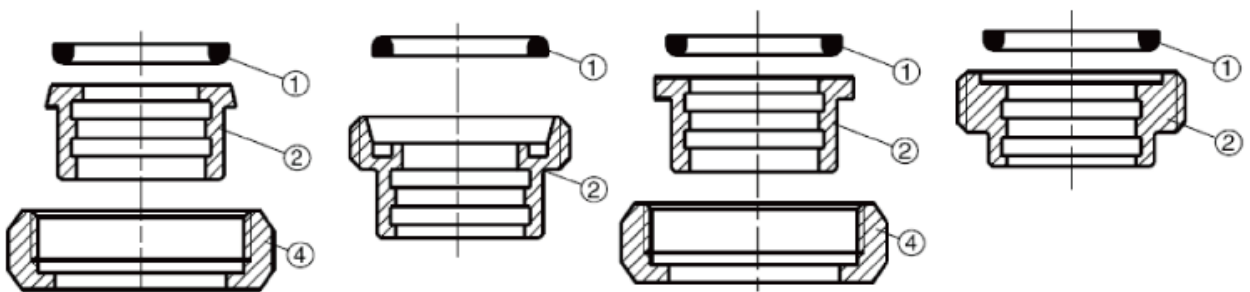
DN	̸D	̸E	Bar
DN32	̸50	58x1/6"	0.6 ≤ P ≤ 40
DN40	̸56	65x1/6"	0.4 ≤ P ≤ 40
DN50	̸68	78x1/6"	0.25 ≤ P ≤ 40



DN	̸D	Bar
DN38	60x1/6"	0.4 ≤ P ≤ 40
DN51	70x1/6"	0.25 ≤ P ≤ 40



DN	̸D	̸E	Bar
DN38	̸55.2	60x1/6"	0.4 ≤ P ≤ 40
DN51	̸65.2	70x1/6"	0.25 ≤ P ≤ 40



How to order

PT+DS00 Sanitary clip-on level pressure transmitter									
Std.	Spec.	Code	Item	Code	Item	Code	Item	Code	Item
2	Connection	1.5	1.5"	2	2"	2.5	2.5"	–	–
H	Electrical connector	H	Hirschmann connector	A	Aviation plug	–	–	–	–
Custom	Pressure range	0...50 kPa to 2.5 MPa							
05	Accuracy	025	±0.25% F.S.	05	±0.5% F.S.	01	±0.1% F.S.	–	–
/B	Other requests	/A	Third party notarized document						
		/B	Inspection report (issued by Re-Atlantis)						
		/C	Tag						

Order example: PT+500 - 2 - H - (0~30 kPa) - 05 - /B