

Main specifications

- ▼ **Size**
1.5" , 2" , 2.5" , 3" , 4" , 6"
- ▼ **Installation type**
Bottom mount (A) /
Bottom mount with flange(B) /
Back mount (Centric thread) (ADC) /
Back mount (Eccentric thread) (ADE) /
Back mount with flange
(Centric thread) (BDC) /
Back mount with flange
(Eccentric thread) (BDE) /
Back mount with U-Clamp
(Centric thread) (UDC) /
Back mount with U-Clamp
(Eccentric thread) (UDE) /
Back mount with flange and
U-Clamp (Centric thread) (UBDC) /
Back mount with flange and
U-Clamp (Eccentric thread) (UBDE)
- ▼ **Window**
PC / Glass
Option: safety glass
- ▼ **Pressure connection**
Material: copper alloy
Thread size:
1/8" , 1/4" , 3/8" , 1/2"
Thread type:
BSPT, NPT, PF
- ▼ **Pressure range**
Gauge pressure ▼
0...0.6 to 1000 bar
Negative pressure ▼
-1...0bar / -76...0cmHg
Compound pressure ▼
-1...0 to 20bar
- ▼ **Applicable fluid**
Liquid and gas that compatible
with copper alloy
- ▼ **Ambient temperature**
Dry
-40°C to +60°C
Glycerin-filled
-20°C to +60°C
Silicone oil-filled
-40°C to +60°C
- ▼ **Media temperature**
Dry
+60°C
Glycerin
+60°C
+180°C is available made-to-
order
- ▼ **Temperature drift**
Every 12°C
max. error: ±0.3% F.S
- ▼ **Protection level**
IP54 (std.) / IP65 (option)

Other specifications

- ▼ **Ring material**
Stainless steel
- ▼ **Ring mount**
Crimp / Bayonet / Snap-in
- ▼ **Case material**
SS 304
- ▼ **Pointer**
Aluminum with black enamel
- ▼ **Dial face**
Blue and black scale
Other pressure unit, scale &
color available upon request
- ▼ **Measuring elements**
Bourdon tube
Material: copper alloy
- ▼ **Design protection (option)**
Blow out disk
- ▼ **Movement**
Copper alloy
- ▼ **Accuracy**
±2% F.S. for Φ1.5" & 2"
±1.5% F.S. for Φ2.5" ~ 6"
- ▼ **Operating pressure**
Stabilization 3/4* full scale
Fluctuation 2/3* full scale
Impulse 1* full scale
- ▼ **Other requests (Option)**
Third party notarized
documents
Inspection report
Tag
Customized dial face (scale,
color, unit, etc.)
Install a diaphragm seal
Dampened movement
Window - Safety glass
(Only available for size > 4")
Peak hold pointer
Coating
External indicator (red, green,
yellow)
Thread - chrome plated
Knife edge pointer
Adjustable pointer
(Only available for size > 4")
Install a blow out back
High accuracy type

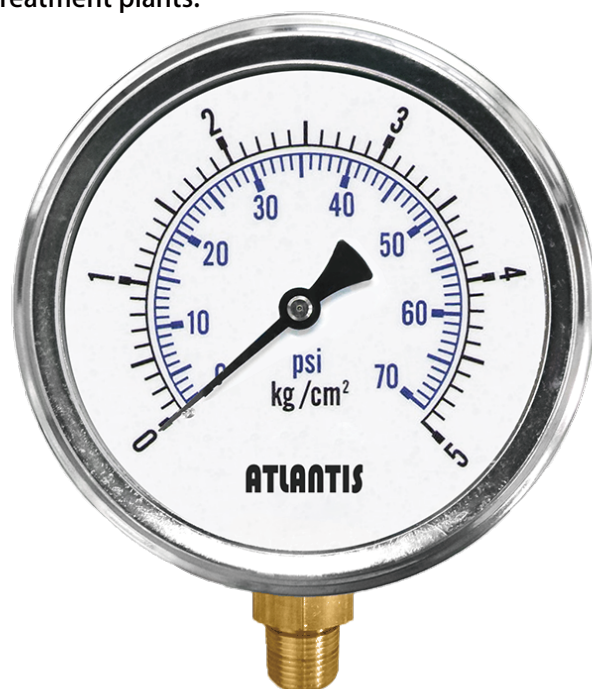
Stainless Steel Case

Pressure Gauge

Model: SC

Introduction

SC pressure gauge has various size and installation type for selection, which is suitable for measuring slight corrosive media that compatible with copper alloy. Particularly used in hydraulics, compressors, general mechanical engineering, pumps, water treatment plants.



Bottom mount



Due to the variety of customization, the picture is only for reference, please confirm the actual item with our sales. (If there is any change on specification, please take the latest version as standard.)

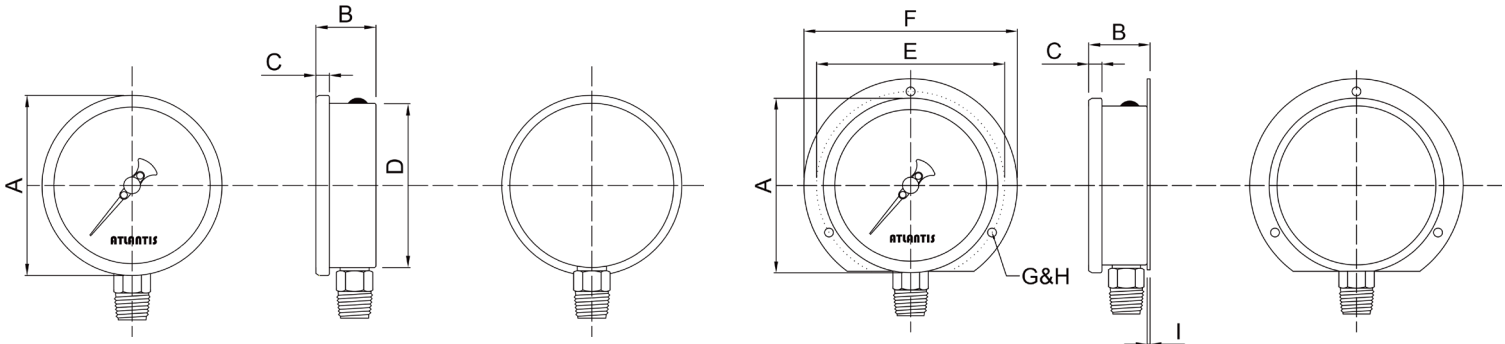
Features

- OEM service
- Stainless steel case pressure gauge for general application
- Various installation and thread type available for different application
- Filled with liquid to improve vibration-proof performance and service life (option)



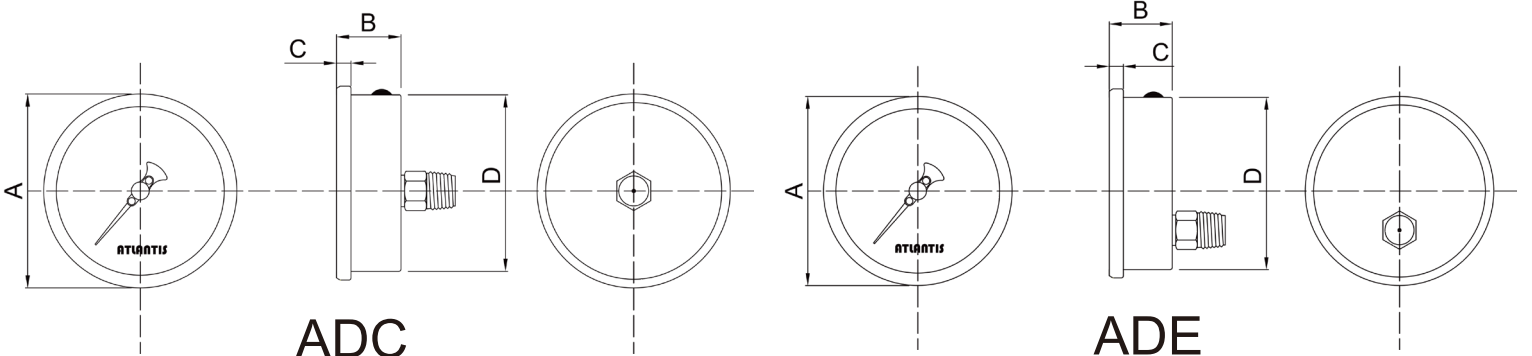
Back mount

Installation type



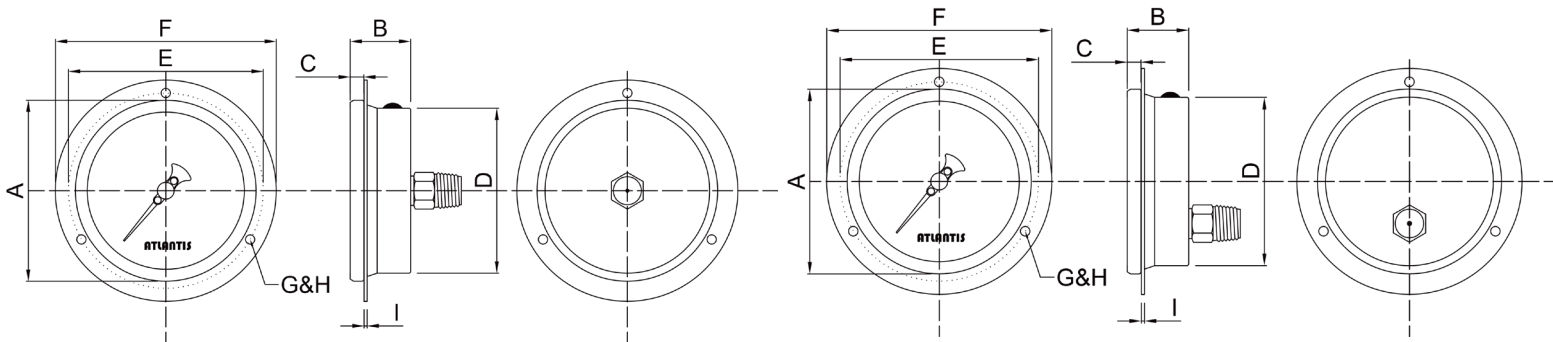
A

B



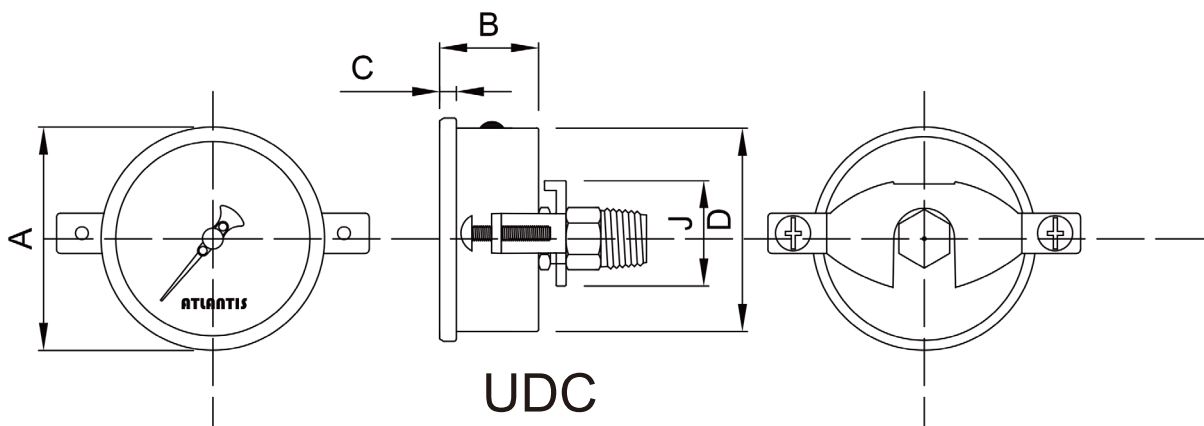
ADC

ADE

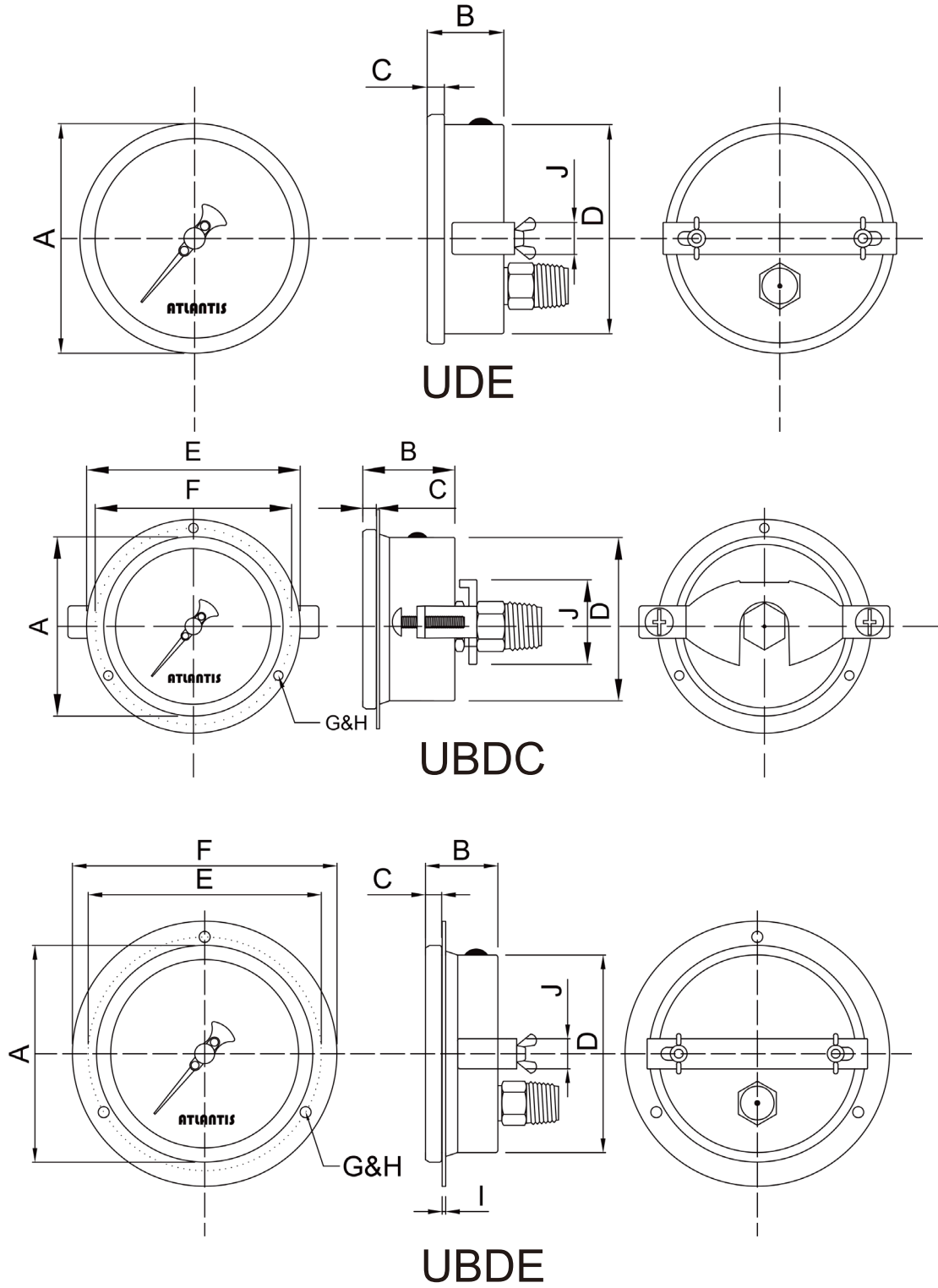


BDC

BDE



UDC



Size-Installation type table

Installation type	1.5"	2"	2.5"	3"	4"	6"
A	●	●	●	●	●	●
B			●	●	●	●
ADC	●	●	●	●	●	
ADE					●	●
BDC	●	●	●	●	●	
BDE					●	●
UDC	●	●	●	●		
UDE					●	
UBDC			●		●	
UBDE					●	

How to order

SC Stainless Steel Case Pressure Gauge									
Std.	Spec.	Code	Item	Code	Item	Code	Item	Code	Item
04	Size	015	1.5"	02	2"	025	2.5"	03	3"
		04	4"	06	6"	–	–	–	–
L	Liquid-filling	O	Dry	L	Glycerin	S	Silicone oil	N	Oil-free treatment
A	Installation type	A	Bottom mount	B	Bottom mount with flange	ADC	Back mount (Centric thread)	ADE	Back mount (Eccentric thread)
		BDC	Back mount with flange (Centric thread)	BDE	Back mount with flange (Eccentric thread)	UDC	Back mount with U-Clamp (Centric thread)	UDE	Back mount with U-Clamp (Eccentric thread)
		UBDC	Back mount with flange and U-Clamp (Centric thread)	UBDE	Back mount with flange and U-Clamp (Eccentric thread)	–	–	–	–
3	Thread size	1	1/8"	2	1/4"	3	3/8"	4	1/2"
P	Thread type	P	BSPT	N	NPT	F	PF	O	Others
Custom	Pressure range	Gauge pressure – (0…0.6 to 1000bar) Negative pressure – (-1…0bar) Compound pressure – (-1…0…0.6 to 20bar) Custom pressure unit scale (psi, bar, kPa, kg/cm2, MPa, inHg, mmHg, cmHg, etc…), single / dual scale							

Order example: SC - 04 - L - A - 3 - P - (0…10bar)