

Main Specifications

| | |
|-----------------------|--|
| ▼ Size | 4" |
| ▼ Installation type | Bottom mount / Back mount |
| ▼ Window | Glass |
| ▼ Pressure connection | Material: SS316 G3/8" male thread Thread nipple outer dia. Ø5mm 1/2" BSPT 1/2" NPT male thread R1/8" male thread Integrated structure TIG welding |
| ▼ Pressure range | -1...0 to 1000bar |
| ▼ Applicable media | Liquid and gas that compatible with SS304 |
| ▼ Liquid-filling | Dry pressure gauge No oil-filling |
| ▼ Ambient temperature | -20°C to +60°C |
| ▼ Media temperature | Max. 180°C |

Other Specifications

| | |
|----------------------|---|
| ▼ Case | SS304 Snap-in bezel Non-hermetic case |
| ▼ Pointer | Aluminum with black enamel |
| ▼ Dial face | White dial with all black scale Pressure unit, scale, color, etc. can be customized upon request |
| ▼ Measuring elements | Bourdon tube Material: SS316L |
| ▼ Movement | Copper alloy |
| ▼ Accuracy | ≤1.6% |
| ▼ Operating pressure | 0.75* full scale (recommended) |

All Stainless Steel Steam Pressure Gauge Model: SPG-SUS Introduction

SPG-SUS All stainless steel pressure gauge is suitable for measuring the steam pressure in the boiler or water tank, can accurately measure the boiler or tank vapor pressure value.



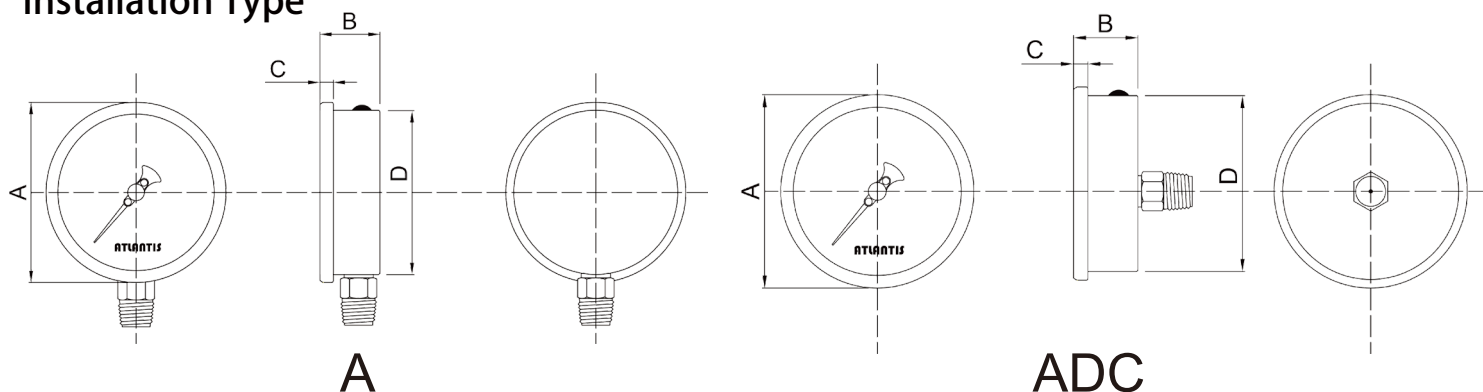
Due to the variety of customization, the picture is only for reference, please confirm the actual item with our sales. (If there is any change on specification, please take the latest version as standard.)



Features

- Specially design for steam pressure measurement
- Dry pressure gauge, max media temp. 180°C
- Snap-in bezel, non-hermetic case
- Adopts SS 316 as material of Bourdon tube and connection
- Accuracy ≤1.6%

Installation Type



How to order

| SPG-SUS | | All Stainless Steel Steam Pressure Gauge | | | |
|---------|--|--|----|---------|--|
| Code | Size | | | | |
| 04 | 4" | | | | |
| Code | Installation type | | | | |
| A | Bottom mount | | | | |
| ADC | Back mount | | | | |
| Code | Pressure connection | | | | |
| 3G | G3/8" male thread | | | | |
| 4N | 1/2" NPT male thread | | | | |
| 4B | 1/2" BSPT male thread | | | | |
| 1R | R1/8" male thread | | | | |
| O | Others (please specify) | | | | |
| Code | Pressure range | | | | |
| Custom | -1...0 to 1000bar | | | | |
| Code | Other demands | | | | |
| /A | Third party notarized documents | | | | |
| /B | Inspection report | | | | |
| /C | Tag | | | | |
| /D | Customized dial face (scale, color, etc.) | | | | |
| /E | SPG-SC - Stainless steel case type (Connection material - copper alloy, case material - SS304, Bourdon tube material - copper alloy) | | | | |
| /F | SPG-EPG - Black steel case type (Connection material - copper alloy, case material - steel with black enamel, Bourdon tube material - copper alloy) | | | | |
| SPG-SUS | 04 | A | 3G | 0~25bar | Order example: SPG-SUS-04-A-3G-(0~25bar) |