

Main Specifications

▼ Size

1" (25mm) /
1.24" (31mm) /
1.37" (35mm)

▼ Installation type

Back mount (ADC)

▼ Window

PC

▼ Pressure connection

Material: copper alloy /
chrome coated copper
Thread size: 1/8" , 1/4"
Thread type: BSPT / NPT / PF
Other thread specification
available upon request

▼ Pressure range

0...2 to 28kg/cm²

▼ Applicable fluid

Liquid and gas that compatible
with connection's material

▼ Ambient temperature

-20°C to +60°C

▼ Fluid temperature

+60°C

▼ Temperature error

Standard: 20°C

Every ±8°C

max. error: ±0.5% F.S

▼ Protection level

IP43

Other Specifications

▼ Ring

Stainless steel / PC

▼ Ring mount

Snap-in

▼ Case

SS 304 / Polypropylene (PP) /

Chrome-plated copper

▼ Pointer

Aluminum with black enamel

▼ Dial face

All black scale

Angle: 60° / 120° / 165°

Scale, color, unit, can be
customized upon request

▼ Measuring elements

Spiral tube

Material: copper alloy

▼ Movement

Copper alloy

▼ Accuracy

5% / 4%

▼ Operating pressure

Stabilization: 0.75* full scale

Impulse: 0.9* full scale

Mini Pressure Gauge (Spiral Tube Type)

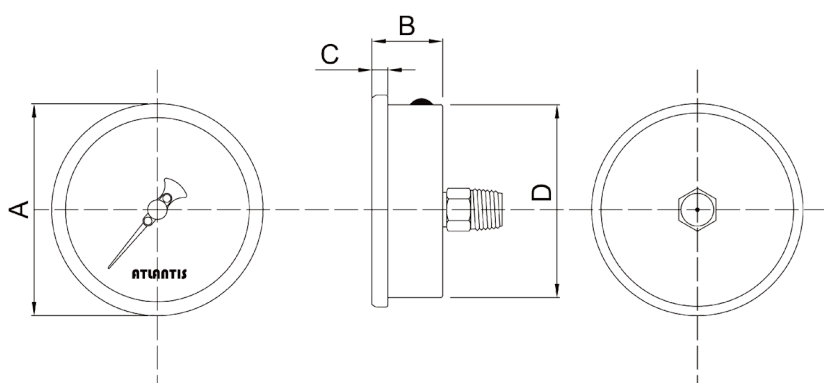
Model: SSG

Introduction

The mini pressure gauge is commonly applied in limited space with affordable price. It is suitable for liquid and gas pressure measurement that compatible with connection's material.



Installation type



Due to the variety of customization, the picture is only for reference, please confirm the actual item with our sales. (If there is any change on specification, please take the latest version as standard.)

Features

- OEM service
- Various case materials available (stainless steel, chrome-plated copper or reinforced plastic PP)
- Spiral tube is adopted for general measurement requirement with affordable price

How to order

S SG Mini Pressure Gauge (Spiral Tube Type)

Std.	Spec.	Code	Item	Code	Item	Code	Item	Code	Item
01	Size	25	1" (25mm)	31	1.24" (31mm)	35	1.37" (35mm)	–	–

B	Connection material	B	Copper alloy	BC	Chrome-plated copper	O	Others	–	–
---	---------------------	---	--------------	----	----------------------	---	--------	---	---

304	Case material	304	SS304	PP	Polypropylene	BC	Chrome-plated copper	–	–
-----	---------------	-----	-------	----	---------------	----	----------------------	---	---

B	Spiral tube material	B	Copper alloy	O	Others	–	–	–	–
---	----------------------	---	--------------	---	--------	---	---	---	---

1	Thread size	1	1/8"	2	1/4"	–	–	–	–
---	-------------	---	------	---	------	---	---	---	---

N	Thread type	P	BSPT	N	NPT	F	PF	O	Others
---	-------------	---	------	---	-----	---	----	---	--------

Custom	Pressure range	0...2 to 28kg/cm ² Pressure unit (psi, bar, kPa, kg/cm ² , MPa, inHg, mmHg, cmHg, etc...) & single / dual scale can be customized upon request							
--------	----------------	---	--	--	--	--	--	--	--

B	Accuracy	A	4%	B	5%	–	–	–	–
---	----------	---	----	---	----	---	---	---	---

/D	Other requests	/A	Third party notarized document	/B	Inspection report
		/C	Tag	/D	Customized dial face
		/E	Epoxy coating	/F	Specify scale angle
		/G	Case SS316	/H	Sealed with rubber O-ring

Order example: SSG - 01 - B - 304 - B - 1 - N - (0...10 bar) - B + /D