

Main Specifications

▼Size

1.5" , 2" , 2.5" , 3" , 4" , 6" , 8" , 10"

▼Installation type

Bottom mount (A) /
Bottom mount with back flange(B) /
Back mount (Centric thread) (ADC) /
Back mount (Eccentric thread) (ADE) /
Back mount with front flange
(Centric thread) (BDC) /
Back mount with front flange
(Eccentric thread) (BDE) /
Back mount with U-Clamp
(Centric thread) (UDC) /
Back mount with U-Clamp
(Eccentric thread) (UDE) /
Back mount with front flange and
U-Clamp (Centric thread) (UBDC) /
Back mount with front flange and
U-Clamp (Eccentric thread) (UBDE)

▼Window

PC / Glass

Option: Safety glass

▼Pressure connection

Material: SS316

Thread size:

1/8" , 1/4" , 3/8" , 1/2"

Thread type:

BSPT, NPT, PF

▼Pressure range

Gauge pressure ▼

0...0.6 to 1000 bar

(> 1000bar is available made-to-order)

Negative pressure ▼

-1...0bar / -76...0cmHg

Compound pressure ▼

-1...0 to 20bar

▼Applicable fluid

Liquid and gas that compatible with stainless steel

▼Ambient temperature

Dry: -20 to +60°C

Glycerin-filled: +10 to +60°C

Silicone oil-filled: -45 to +60°C

▼Media temperature

Dry: +100°C

Glycerin filled: +100°C

Silicon oil filled: +100°C

<Silicon oil filled type can be for medium +200°C only if the case and connection are welded together (argon-arc welding), available for $\Phi 2\frac{1}{2}$ " ~ 10" >

▼Liquid-filling

Dry

Glycerin

Silicone oil

Oil-free treatment

Other Specifications

▼Ring

Stainless steel

▼Ring mount

Crimp / Bayonet / Snap-in

For more details please check

Size-Ring table

▼Housing

SS304

▼Pointer

Aluminum with black enamel

▼Dial face

Blue and black scale

Other pressure unit, scale & color available upon request

▼Measuring elements

Bourdon tube

Material : SS316

▼Protection design (option)

Blow out disk

▼Movement

Stainless steel

▼Accuracy

$\pm 2\%$ F.S. for $\Phi 1\frac{1}{2}$ " & 2"

$\pm 1.5\%$ F.S. for $\Phi 2$ " ~ 3"

$\pm 1\%$ F.S. for $\Phi 3$ " ~ 10"

▼Operating pressure

Stabilization 3/4* full scale

Fluctuation 2/3* full scale

Impulse 1* full scale

▼Other requests

Third party notarized

documents

Inspection report

Tag

Customized dial face (scale,

color, unit, etc.)

Install a diaphragm

Dampened movement

Window – Safety glass (Only

available for size >4")

Peak hold pointer

Case material: SS316

External indicator (Red, green,

yellow)

Adjustable pointer (Only

available for size >4")

Blow out disk

All Stainless Steel Pressure Gauge

Model: SUS

Introduction

SUS pressure gauge has various size and installation type for selection. It applicable to measure slight corrosive media that compatible with stainless steel. Particularly used in chemical, petrochemical, food industry, biochemistry and any rush industries.



(Bottom mount)

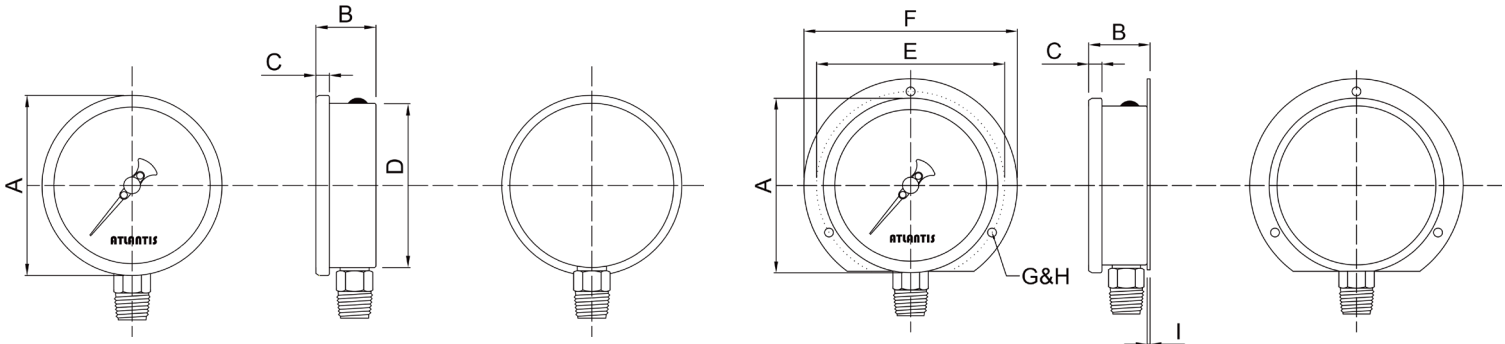


Due to the variety of customization, the picture is only for reference, please confirm the actual item with our sales. (If there is any change on specification, please take the latest version as standard.)

Features

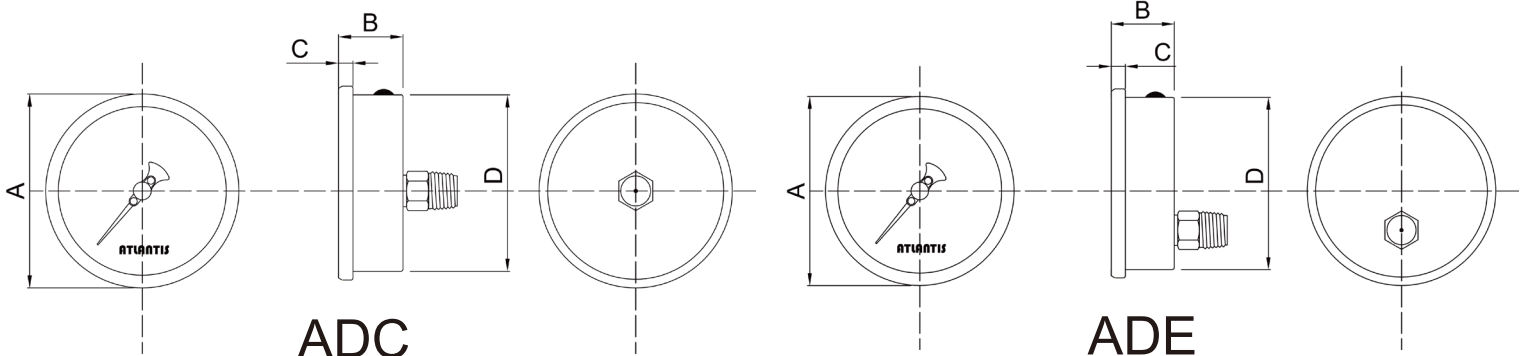
- OEM Service
- All stainless steel design
- Multiple choices of size and thread gauge, suitable for various installation environment
- Filled with liquid to improve vibration-proof performance and service life (option)
- Install blow out disk or use safety glass to ensure safety operation

Installation Type



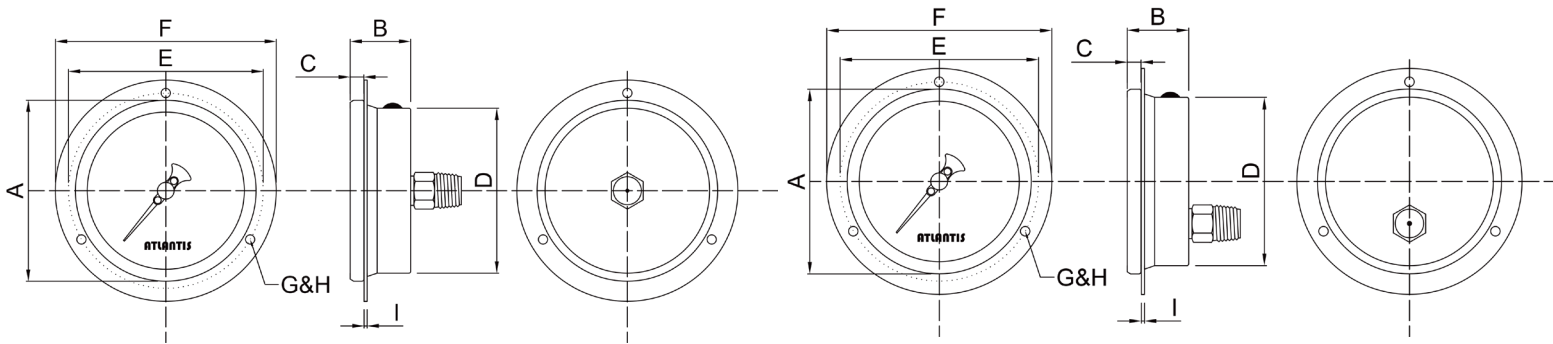
A

B



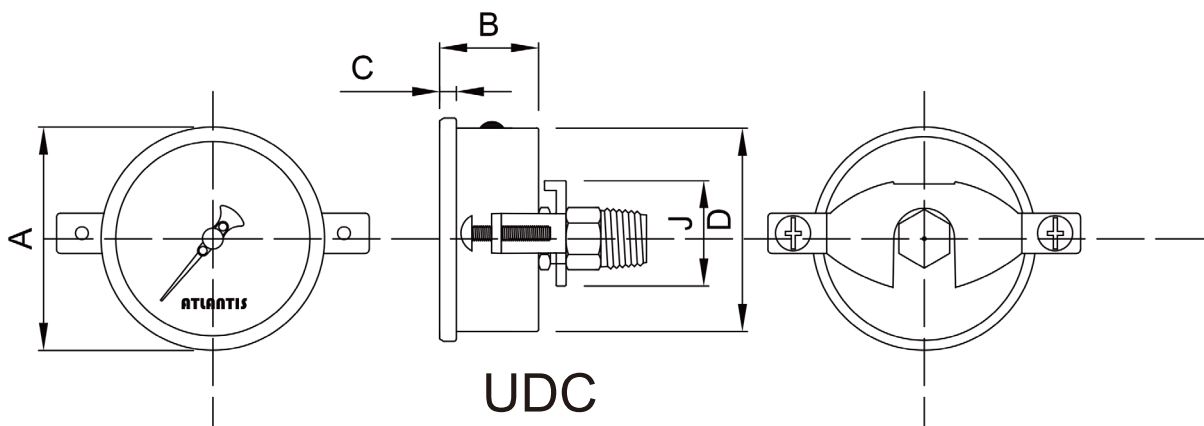
ADC

ADE

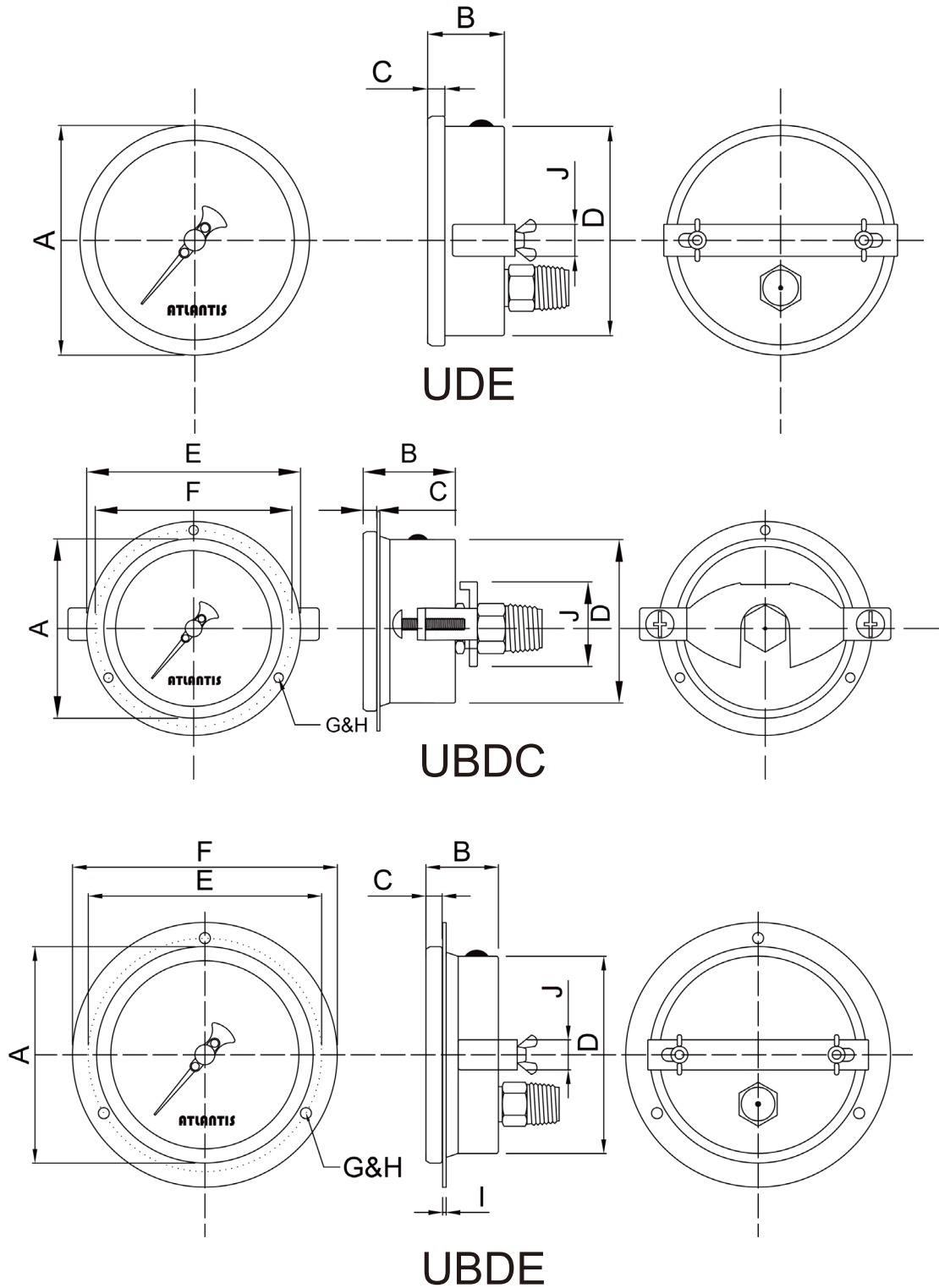


BDC

BDE



UDC



Size-Installation type table

Installation type	1.5"	2"	2.5"	3"	4"	6"	8"	10"
A	●	●	●	●	●	●	●	●
B			●	●	●	●	●	●
ADC	●	●	●	●	●			
ADE					●	●	●	●
BDC		●	●	●	●			
BDE				●	●	●	●	●
UDC		●	●		●			
UDE				●	●			
UBDC					●			
UBDE					●			

Size-Ring table

Mount type	1.5"	2"	2.5"	3"	4"	6"	8"	10"
Crimp	●	●	●	●	●			
Bayonet		●	●	●	●	●	●	●
Snap-in		●	●					

How to Order

SUS All Stainless Steel Pressure Gauge									
Std.	Spec.	Code	Item	Code	Item	Code	Item	Code	Item
04	Size	015	1.5"	02	2"	025	2.5"	03	3"
		04	4"	06	6"	08	8"	10	10"
L	Liquid-filling	O	Dry	L	Glycerin	S	Silicone oil	N	Oil-free treatment
A	Type	A	Bottom mount	B	Bottom mount with back flange	ADC	Back mount (Centric thread)	ADE	Back mount (Eccentric thread)
		BDC	Back mount with front flange (Centric thread)	BDE	Back mount with front flange (Eccentric thread)	UDC	Back mount with U-Clamp (Centric thread)	UDE	Back mount with U-Clamp (Eccentric thread)
		UBDC	Back mount with front flange and U-Clamp (Centric thread)	UBDE	Back mount with front flange and U-Clamp (Eccentric thread)	-	-	-	-
3	Thread size	1	1/8"	2	1/4"	3	3/8"	4	1/2"
P	Thread type	P	BSPT	N	NPT	F	PF	O	Others
Custom	Pressure range	Gauge pressure – (0…0.6 to 1000bar, > 1000bar is available made-to-order) Negative pressure – (-1…0bar) Compound pressure – (-1…0…0.6 to 20bar) Custom pressure unit scale (psi, bar, kPa, kg/cm2, MPa, inHg, mmHg, cmHg, etc…), single / dual scale							

Order example: SUS - 04 - L - A - 3 - P - (0…0.6 to 10bar)