

# DIAPHRAGM PRESSURE GAUGE

## Sanitary Process Connection - Threaded Coupling Type

### DS400 series

### APPLICATIONS

Diaphragm pressure gauges are used when medium is high viscous, crystalline or with impurities. DS400 series is particularly used in food, beverage and pharmaceutical industry, dairies, dairy-products and breweries.

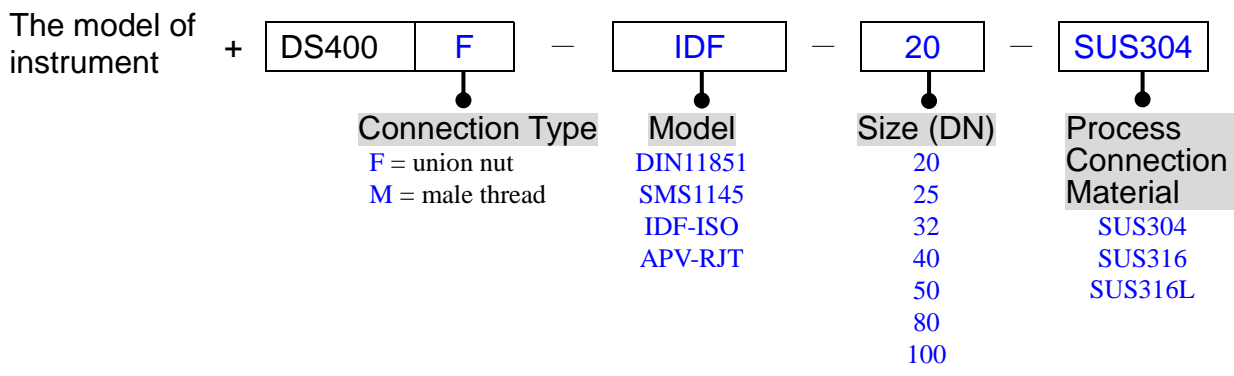


### SPECIFICATIONS

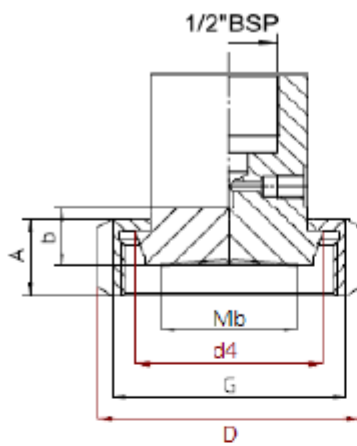
<b>Instruments</b>	All stainless pressure gauges or pressure transmitters
<b>Process Connection</b>	Material : SUS304 ; SUS316 ; SUS316L Size : DIN 11851 — DN20 ; DN25 ; DN32 ; DN40 ; DN50 ; DN65 ; DN80 ; DN100 SMS 1145 — DN25 ; DN40 ; DN50 ; DN65 ; DN80 IDF-ISO 2853 — DN25 ; DN38 ; DN51 ; DN63.5 ; DN76.1 APV-RJT — DN25 ; DN40 ; DN50 < APV-RJT-1(BS4825)for Union Nut ; APV-RJT-2(BS4825)for Male Thread >
<b>Diaphragm</b>	Standard : SUS316L
<b>Temperature</b>	medium +80°C ; ambient 10 to 60°C for medium with temperature 80~400°C available made-to-order
<b>Filling Fluid</b>	Glycerin, food compatible
<b>Pressure Range</b>	0 / 2.5 ~ 0 / 60 kg/cm <sup>2</sup> (bar) for 1-1/2" ; -760mmHg ~ 60 kg/cm <sup>2</sup> for 2" or above
<b>Accessory(option)</b>	Cooling fin Capillary for remote measuring (specify length of capillary when ordering)

### HOW TO ORDER (refer to the models and sizes on next page)

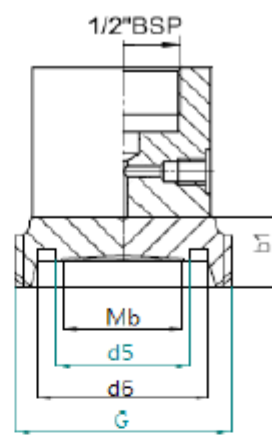
(Please specify additionally the special custom-made specifications or option items)



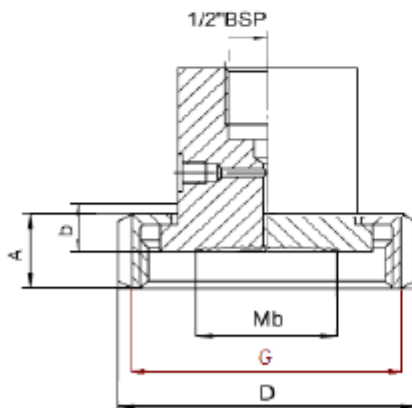
**STANDARD SIZES OF PROCESS CONNECTION**



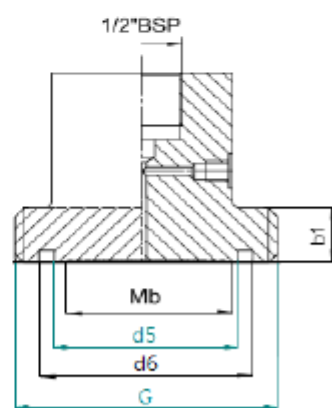
**Union Nut ( F )  
DIN 11851**



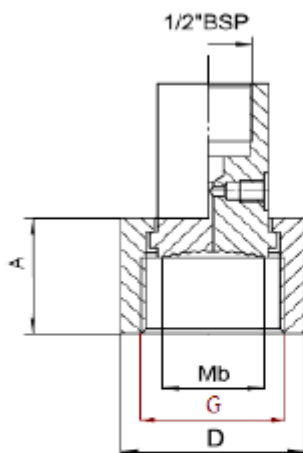
**Male Thread ( M )  
DIN 11851**



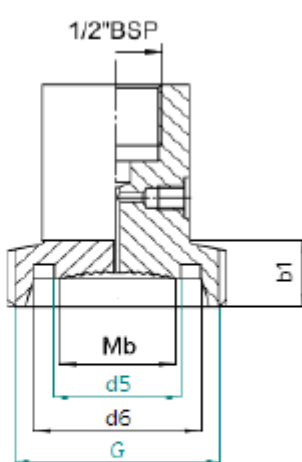
**Union Nut ( F )  
SMS 1145**



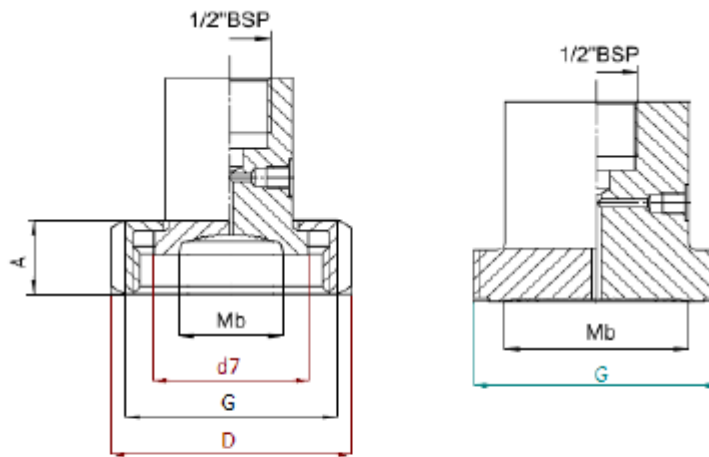
**Male Thread ( M )  
SMS 1145**



**Union Nut ( F )  
IDF-ISO 2853**



**Male Thread ( M )  
IDF-ISO 2853**



**Union Nut ( F )**  
**APV-RJT-1(BS4825)**

**Male Thread ( M )**  
**APV-RJT-2(BS4825)**

Model	DN		PN	Dimensions (mm)								
				Mb	d4/d7	d5	d6	G	D	A	b	b1
DIN 11851	20	3/4"	40	22	36.5	23	32.8	Rd. 44×1/6"	54	-	-	-
	25	1"		25	44	30	39.8	Rd. 52×1/6"	63	-	-	-
	32	1-1/4"		32	50	36	45.8	Rd. 58×1/6"	70	21	16	-
	40	1-1/2"		40	56	42	51.8	Rd. 65×1/6"	78	-	-	20
	50	2"	25	52	68.5	54	63.8	Rd. 78×1/6"	92	22	17	-
	65	2-1/2"		65	-	-	-	Rd. 95×1/6"	112	25	18	22
	80	3"		80	100	85	94.8	Rd. 110×1/4"	127	29	-	26
	100	4"		100	-	-	-	Rd. 130×1/4"	-	31	21	-
SMS 1145	25	1"	40	22	-	-	-	Rd. 40×1/6"	51	19	16	16
	40	1-1/2"		35	35.6	48	48.6	Rd. 60×1/6"	74	23	16	20
	50	2"		48	-	-	-	Rd. 70×1/6"	84	24	16	20
	65	2-1/2"	25	48	-	-	-	Rd. 85×1/6"	100	28	16	24
	80	3"		60	-	-	-	Rd. 98×1/4"	114	30	20	24
IDF-ISO 2853	25	1"	40	21	-	-	-	1" IDF	52	30	20	20
	38	1-1/2"		34	35.6	42.7	48.6	1-1-2" IDF	64			
	51	2"		46	-	-	-	2" IDF	79			
	63.5	2-1/2"	25	54	-	-	-	2-1/2" IDF	-			
	76.1	3"		65	-	-	-	3" IDF	-			
APV-RJT-1 (BS4825)	25	1"	40	21	-	-	-	-	57	20	-	-
	40	1-1/2"		32	40.5	-	-	2-2/16×8"	72	21	-	-
	50	2"		40	53.2	-	-	2-7/8×6"	86	22	-	-
APV-RJT-2 (BS4825)	40	1-1/2"	40	34	-	-	-	2-2/16×8"	72	21	-	-
	50	2"		45	-	-	-	2-7/8×6"	86	22	-	-