

Main specifications

▼ Size

1.5" , 2" , 2.5" , 3" , 4"

▼ Installation type

Bottom mount (A) /

Back mount (ADC)

▼ Window

PC

▼ Pressure connection

Material: copper alloy / SS304

Thread size: 3/8" , 1/2" , 1/4"

Thread type: BSPT, NPT, PF

▼ Pressure range

Gauge pressure ▼

0...1 to 350 bar

Negative pressure ▼

-1...0bar / -76...0cmHg

Compound pressure ▼

-1...0 to 20bar

▼ Applicable fluid

Liquid and gas that compatible with connection's material

▼ Ambient temperature

-40°C to +60°C

▼ Fluid temperature

+60°C (Copper alloy)

+100°C (Stainless steel)

▼ Temperature drift

Every 12°C

max. error: $\pm 0.3\%$ F.S

▼ Protection level

IP54 (Std.) / IP65 (option)

Other specifications

▼ Ring

Reinforced plastic ABS

▼ Ring mount

Outside bayonet

▼ Case

Reinforced plastic ABS

▼ Pointer

Aluminum with black enamel

▼ Dial face

Blue and black scale

Other pressure unit, scale & color available upon request

▼ Measuring elements

Bourdon tube

Material:

copper alloy / SS304

▼ Movement

Copper alloy

▼ Accuracy

$\pm 3.0\%$ F.S.

(Option: $\pm 2.5\%$ F.S., $\pm 1.6\%$ F.S.)

▼ Operating pressure

Stabilization 3/4* full scale

Fluctuation 2/3* full scale

Impulse 1* full scale

▼ Other requests

Third party notarized documents

Inspection report

Tag

Customized dial face (scale, color, etc.)

Install a diaphragm seal

Peak hold pointer

Dampened movement

Indicator (red, green yellow)

Plastic Case Pressure Gauge

Model: ABS

Introduction

ABS plastic case pressure gauge has various size and installation type for selection. It applicable to measure slight corrosive media that compatible with connection's material.



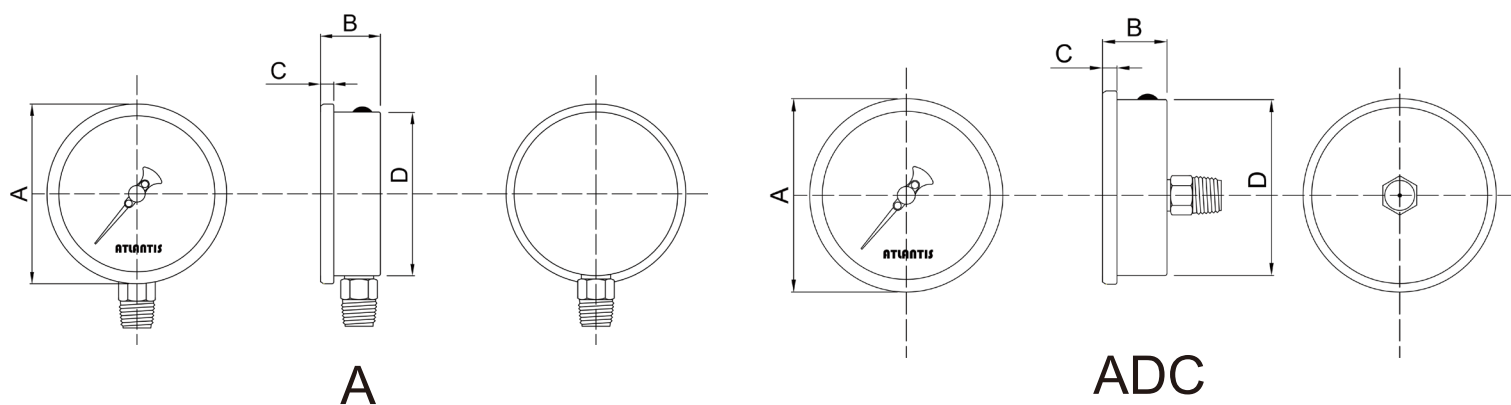
Due to the variety of customization, the picture is only for reference, please confirm the actual item with our sales. (If there is any change on specification, please take the latest version as standard.)

Features

- OEM service
- Affordable price
- Case material adopts reinforced plastic ABS



Installation type



How to order

ABS Plastic Case Pressure Gauge									
Standard	Spec.	Code	Item	Code	Item	Code	Item	Code	Item
04	Size	015	1.5"	02	2"	025	2.5"	03	3"
		04	4"	-	-	-	-	-	-
A	Installation type	A	Bottom mount	ADC	Back mount	-	-	-	-
C	Connection material	C	Copper alloy	316	SS316	O	Others	-	-
C	Bourdon tube material	C	Copper alloy	304	SS304	O	Others	-	-
3	Thread size	3	3/8"	2	1/4"	4	1/2"	O	Others
P	Thread type	P	BSPT	N	NPT	F	PF	O	Others
A	Accuracy	A	±3.0%F.S.	B	±2.5%F.S.	C	±1.6%F.S.	-	-
Custom	Pressure range	Gauge pressure – (0...1 to 350bar) Negative pressure – (-1...0bar) Compound pressure – (-1...0...1 to 20bar) Pressure unit (psi, bar, kPa, kg/cm ² , MPa, inHg, mmHg, cmHg, etc...) & single/dual scale can be customized upon request							
/B	Other requests	/A	Third party notarized document			/B	Inspection report		
		/C	Tag			/D	Customized dial face (scale, color, etc.)		
		/E	Install a diaphragm seal			/F	Peak hold pointer		
		/G	Dampened movement			/H	Indicator (red, green yellow)		

Order example: ABS - 04 - A - C - C - 3 - P - A - (0...0.6 to 10bar) - /B