

Main Specifications

- ▼Size
3" , 4"
- ▼Installation type
Bottom mount (A) /
Bottom mount with flange (B)
- ▼Window
Tempered glass
PE gasket
- ▼Pressure connection
Material: Chrome-plated steel
1/4" NPT
1/4" PF
Other thread type available upon request.
- ▼Pressure range
Compound pressure ▼
-76cmHg...0 to 20bar
- ▼Applicable fluid
Liquid and gas that contain ammonia.
- ▼Ambient temperature
-40°C to +60°C
- ▼Fluid temperature
+60°C
- ▼Temperature error
Every 12°C
max. error±0.3% F.S
- ▼Protection level
IP52

Other Specifications

- ▼Ring
Steel with black enamel
Screw fixed
- ▼Back housing
Steel with black enamel
- ▼Pointer
Aluminum with black enamel
- ▼Dial
Red and black scale
Pressure unit, scale, and color can be customized upon request
- ▼Measuring elements
Bourdon tube
Material:
Steel (Standard) /
Stainless steel (Option)
- ▼Movement
Steel / Stainless steel
- ▼Accuracy
±3%
- ▼Operation pressure
Stabilization 3/4* full scale
Fluctuation 2/3* full scale
Impulse 1* full scale

Black Steel Case Refrigeration Ammonia Gauge

Model: AM-EPG

Introduction

AM series gauge are specially designed for measuring liquid and gas that contain ammonia.

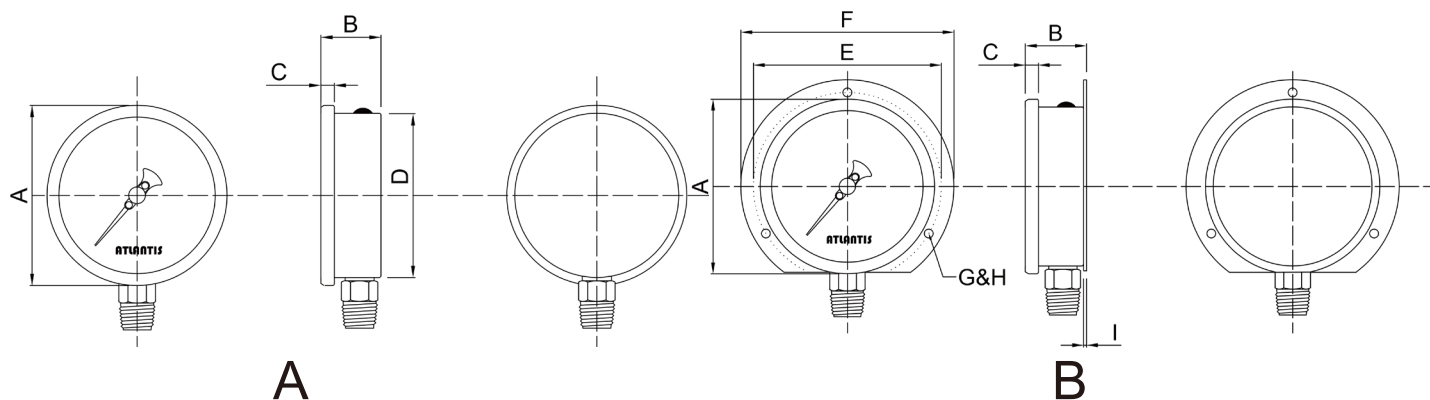


Due to the variety of customization, the picture is only for reference, please confirm the actual item with our sales. (If there is any change on specification, please take the latest version as standard.)

Features

- OEM service
- No-copper design, applicable to ammoniacal media measurement
- Special dial for ammonia

Installation type



How to Order

AM-EPG Black Steel Case Refrigeration Gauge (For Ammonia Type)										
Std.	Spec.	Code	Item	Code	Item	Code	Item	Code	Item	
04	Size	03	3"	04	4"	—	—	—	—	
A	Installation type	A	Bottom mount	B	Bottom mount with flange	—	—	—	—	
SC	Material of connection	SC	Chrome-plated steel	O	Others	—	—	—	—	
2	Thread size	2	1/4"	O	Others	—	—	—	—	
N	Thread type	N	NPT	F	PF	O	Others	—	—	
Custom	Pressure range	-76cmHg...0 to 20bar								
C	Accuracy	A	±1.6%	B	±2.5%	C	±3%	—	—	
/D	Other demands	/A	Third party notarized documents			/B	Inspection report			
		/C	Tag			/D	Customized dial (Scale, color, unit, etc.)			
		/E	Install a diaphragm			/F	Internal stop pin (Overpressure protection)			
		/G	Dampened movement, oil cup (Applicable to non-oil environment)			/H	Adjustable pointer (Only available for > 4")			
		/I	Peak hold pointer			/J	Epoxy coating			
		/K	All stainless steel bourdon tube			/L	All stainless steel movement			

Order example: AM-EPG - 04 - A - SC - 2 - N - (0...0.6 to 10bar) - C + /D