

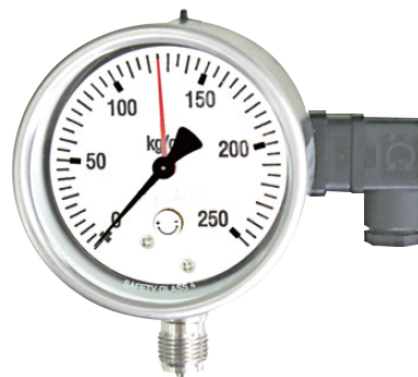
**Main Specifications**

- ▼ **Dial diameter**  
4" , 6"
- ▼ **Window**  
Safety glass
- ▼ **Process connection**  
1/2" NPT / PF male
- ▼ **Conduit connection**  
(for bottom entry only)  
SPDT x 1:  
DIN 43650  
SPDT x 1 or SPDT x 2:  
M20 x 1.5 or 1/2" NPT female  
(adaptor available)
- ▼ **Cable gland**  
(for back entry only)  
M16 x 1.5
- ▼ **Pressure range**  
Min.: -1 kg/cm<sup>2</sup>  
Max.: 400 kg/cm<sup>2</sup>
- ▼ **Ambient Temperature**  
-20°C to +70°C
- ▼ **Applicable fluid**  
Liquid and gas that compatible  
with SS 316
- ▼ **Temperature error**  
Every ±8°C  
max error: ±0.5%
- ▼ **Protection level**  
IP66

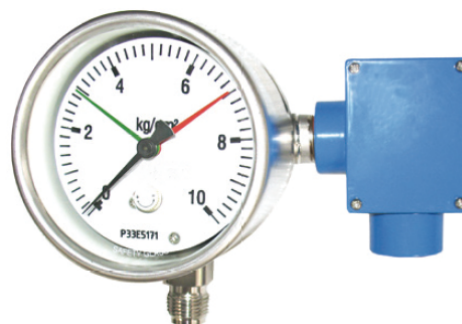
**Other Specifications**

- ▼ **Connection type**  
Back / Bottom  
(adaptor available)
- ▼ **Housing**  
SS 304
- ▼ **Measuring elements**  
Burdon tube  
Material: SS 316
- ▼ **Wetted parts**  
SS 316
- ▼ **Contact**  
Pure silver 999.9
- ▼ **Protection**  
Blow-out back  
Diameter: 25mm
- ▼ **Accuracy (Gauge indication)**  
±1.0%
- ▼ **Micro switch form**  
One setting point: SPDT x 1  
Two setting points: SPDT x 2
- ▼ **Operating voltage**  
AC: 250 VAC max. (standard)  
DC: 28 VDC max. (standard)
- ▼ **Current**  
AC: 5A max.  
DC: 5A max. (ohmic load)  
3A max. (inductive load)
- ▼ **Micro switch dead band**  
±2% - ±5%
- ▼ **Operating pressure**  
Stabilization: 3/4\* full scale  
Fluctuation: 2/3\* full scale  
Impulse: 1\* full scale  
Overpressure: 1.3\* full scale

**Analog Pressure Gauge with  
Micro Switch  
(Weather-proof type)  
Model: AMPS (WP)**



**Bottom Connection  
(Conduit: DIN 43650)**



**Bottom Connection  
(Conduit: 1/2" NPT female)**



**Back Connection  
(Cable gland: M16 x 1.5 with front flange)**

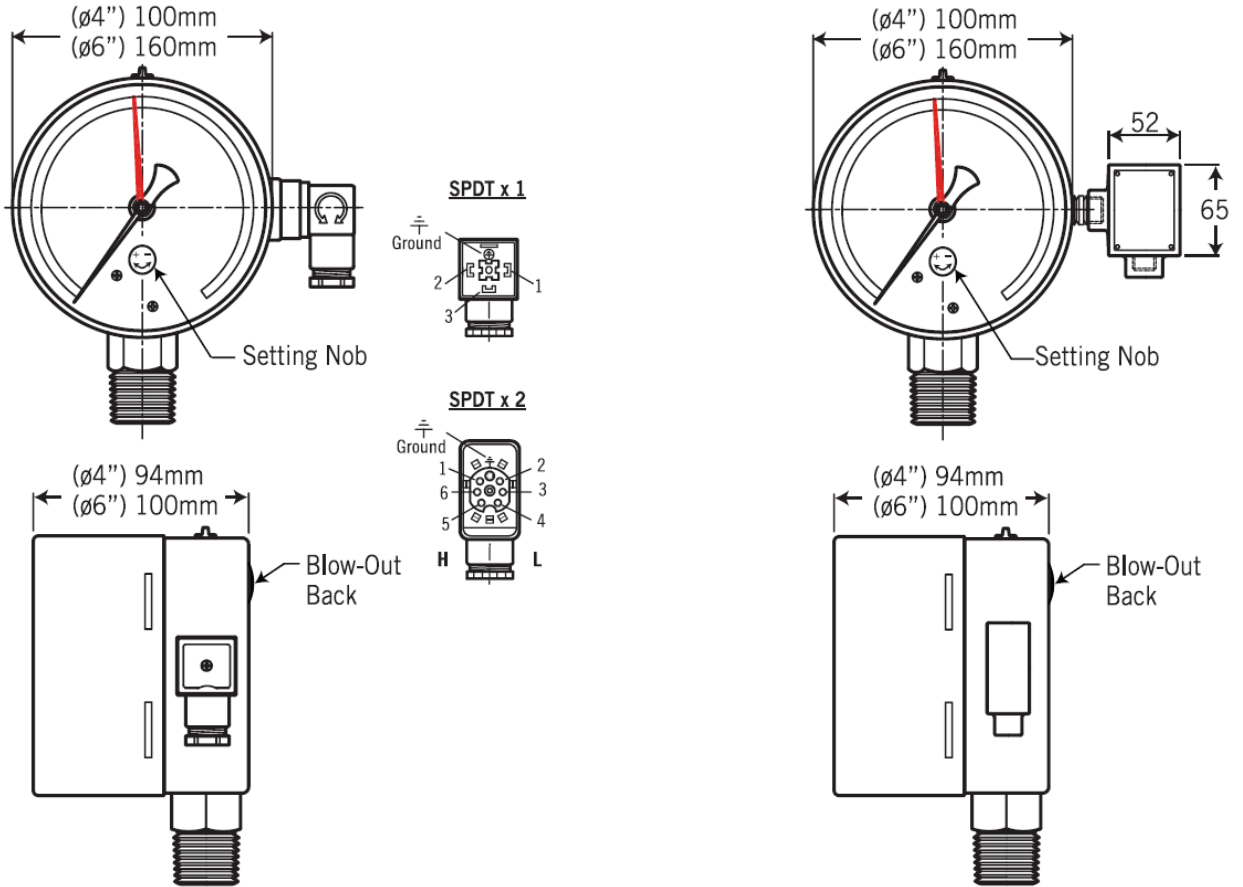


Due to the variety of customization, the picture is only for reference, please confirm the actual item with our sales. (If there is any change on specification, please take the latest version as standard.)

**Features**

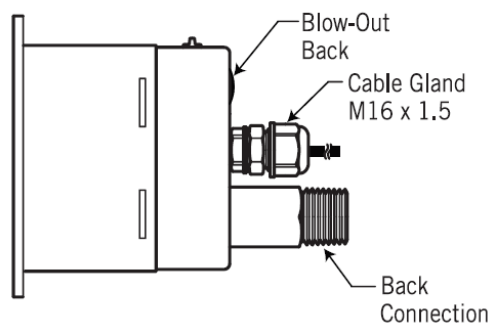
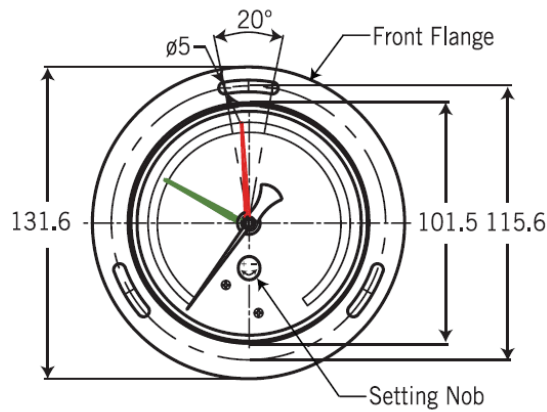
- OEM Service
- Adjustable zero and span
- Set point full scale adjustment

Dimension



Thread Size	Connection type	Conduit Connection
1/2" NPT / PF male	Bottom	DIN 43650 (SPDT x 1) M20 x 1.5 (SPDT x 1 / SPDT x 2)

Thread Size	Connection type	Conduit Connection
1/2" NPT / PF male	Bottom	1/2" NPT male (SPDT x 1 / SPDT x 2)



Thread Size	Connection type	Cable Gland
1/2" NPT / PF male	Back, with front flange	M16 x 1.5

## Range Selection Table

Code	Range	Dead Band	
		SPDT x 1	SPDT x 2
0	0~(-1) kg/cm <sup>2</sup>	± 2.5%	± 5%
1	0~1 kg/cm <sup>2</sup>	± 2%	± 5%
2	0~1.6 kg/cm <sup>2</sup>	± 2%	± 4%
3	0~2.5 kg/cm <sup>2</sup>	± 2%	± 4%
4	0~4 kg/cm <sup>2</sup>	± 2%	± 4%
5	0~6 kg/cm <sup>2</sup>	± 2%	± 2%
6	0~10 kg/cm <sup>2</sup>	± 2%	± 2%
7	0~16 kg/cm <sup>2</sup>	± 2%	± 2%
8	0~20 kg/cm <sup>2</sup>	± 2%	± 2%
9	0~25 kg/cm <sup>2</sup>	± 2%	± 2%
10	0~40 kg/cm <sup>2</sup>	± 2%	± 2%
11	0~60 kg/cm <sup>2</sup>	± 2%	± 2%
12	0~100 kg/cm <sup>2</sup>	± 2%	± 2%
13	0~160 kg/cm <sup>2</sup>	± 2%	± 2%
14	0~250 kg/cm <sup>2</sup>	± 2%	± 2%
15	0~400 kg/cm <sup>2</sup>	± 2%	± 2%

## How to order

<u>AMPS (WP)</u>	<u>BT</u>	<u>4"</u>	<u>N</u>	<u>A</u>			
Model	Code	Connection type	Size	Code	Process connection	Code	Electrical connection
AMPS (WP)	BT	Bottom	4"	N	1/2" NPT	A	DIN 43650 (SPDT x 1)
	BC	Back	6"	F	1/2" PF	B	M20 x 1.5 (SPDT x 1 / SPDT x 2)
					Others	C	1/2" NPT female (SPDT x 1 / SPDT x 2)
						D	Cable gland M16 x 1.5

<u>1</u>	<u>8</u>		
Code	Switch contact	Pressure range	Dead band
1	One setting point SPDT x 1	Please refer to range selection table	
2	Two setting points SPDT x 2		

Ordering Example: AMPS (WP) - BT - 4" - N - A - 1 - 8

### Other Requests:

- Third party notarized documents
- Epoxy coating
- Diaphragm seal assembly  
(Threaded, flange, sanitary type, etc.)
- Inspection report (issued by Re-Atlantis)
- Tag
- Pressure units: MPa, bar