

Main Specifications	Other Specifications
<p>▼ Type General: AT502-7D Narrow dead band: AT502-7DK Explosion-proof: AT502-7DEx</p> <p>▼ Pressure connection Material: copper alloy / stainless steel G1/4"</p> <p>▼ Adjustable set point range -0.1...0~6.3MPa For detail please refer to adjustable set point range</p> <p>▼ Dead band Fixed/Adjustable/Narrow fixed dead band For detail please refer to adjustable set point range</p> <p>▼ Applicable fluid Liquid and gas that compatible with connection's material</p> <p>▼ Ambient temperature -40°C to +50°C</p> <p>▼ Operating viscosity $1 \times 10^{-3} \text{m}^2/\text{s}$</p> <p>▼ Vibration test AT502/7D - Max. $40 \text{m}/\text{s}^2$ AT502/7DK - Max. $20 \text{m}/\text{s}^2$ AT502/7DEx - Max. $20 \text{m}/\text{s}^2$</p> <p>▼ Protection level IP65 (Comply with DIN 40050)</p>	<p>▼ Installation Lower mount</p> <p>▼ Housing Die casting aluminum</p> <p>▼ Measuring elements Bellow Material: SS316L</p> <p>▼ Switch type SPDT micro switch</p> <p>▼ Switching frequency 20/min</p> <p>▼ Max operating pressure 8MPa</p> <p>▼ Repeatability $\leq 1\%$</p> <p>▼ Contact rating AT502/7D & 7DK: AC220V, 6A (resistive load) AT502/7DEx: DC 250V, 0.25A (resistive load) 60W_{max} AC 250V, 5A (resistive load) $1250 \text{W}_{\text{max}}$</p> <p>▼ Service life 2×10^5 cycles</p> <p>▼ Other requests (Option) Third party notarized document Inspection report (issued by Re-Atlantis) Tag</p>

Pressure Switch

Model: AT502-7 Series

Introduction

AT520-7 Series pressure switch adopt SS316L bellow pressure sensor, which can apply to non-corrosive media such as neutral gas and liquid pressure monitor and control. It can also be applied in vacuum condition.



AT-502-7D

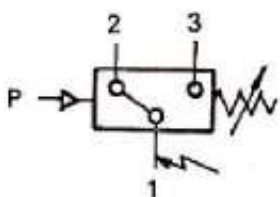


AT-502-7DEx



Due to the variety of customization, the picture is only for reference, please confirm the actual item with our sales. (If there is any change on specification, please take the latest version as standard.)

SPDT micro switch working principle



Terminal 1-3:
 Open circuit when pressure is increased to setting pressure value

Terminal 1-2:
 Close circuit when pressure is increased to setting pressure value

Features

- OEM service
- Suitable in vacuum condition
- Pressure sensor adopts SS316L bellow
- Fixed/adjustable/narrow fixed dead band
- Protection level IP65
- Explosion-proof type is available

Adjustable Set Point Range (Fixed Dead Band) Table

Model	Adjustable set point range (MPa)	Dead band		Maximum operating pressure* (MPa)	Switching frequency per min	Dimension No.		Weight (kg)	Order No.
		Lower limit (MPa)	Upper limit (MPa)			General type	Ex-proof type		
AT502-7D/ AT502-7DEx	-0.1……0	0.006	0.007	1	20	01	04	1.0	0810100
	-0.1……0.1	0.007	0.008						0810200
	-0.1……0.16	0.008	0.009						0810300
	-0.1……0.25	0.009	0.012						0810400
	0……0.1	0.007	0.008	1		01	04	1.0	0811100
	0……0.16	0.008	0.009						0811200
	0.01……0.25	0.009	0.01						0811300
	0.02……0.4	0.03	0.03	2		02	05	0.85	0811400
	0.03……0.6	0.03	0.035						0811500
	0.03……1	0.03	0.04						0811600
	0.05……1.6	0.07	0.08	5		03	06	0.9	0811700
	0.05……2.5	0.07	0.09						0811800
0.3……6.3	0.1	0.2	8	07	08	0.9	0811900		

Adjustable Set Point Range (Adjustable Dead Band) Table

Model	Adjustable set point range (MPa)	Dead band		Maximum operating pressure* (MPa)	Switching frequency per min	Dimension No.		Weight (kg)	Order No.
		Lower limit (MPa)	Upper limit (MPa)			General type	Ex-proof type		
AT502-7D/ AT502-7DEx	-0.1……0	0.018…0.06	0.019…0.08	1	20	01	04	1.05	0800100
	-0.1……0.1	0.019…0.1	0.021…0.1						0800200
	-0.1……0.16	0.02…0.2	0.022…0.2						0800300
	-0.1……0.25	0.022…0.25	0.024…0.25						0800400
	0……0.1	0.015…0.06	0.016…0.08	1		01	04	1.05	0801100
	0……0.16	0.018…0.1	0.02…0.1						0801200
	0.01……0.25	0.02…0.2	0.024…0.2						0801300
	0.02……0.4	0.08…0.25	0.08…0.25	2		02	05	0.9	0801400
	0.03……0.6	0.08…0.5	0.09…0.5						0801500
	0.03……1	0.09…0.8	0.1…0.8						0801600
	0.05……1.6	0.17…1.2	0.19…1.2	5		03	06	0.95	0801700
	0.05……2.5	0.18…2	0.2…2						0801800
0.3……6.3	0.25…2	0.65…4	8	07	08	0.95	0801900		

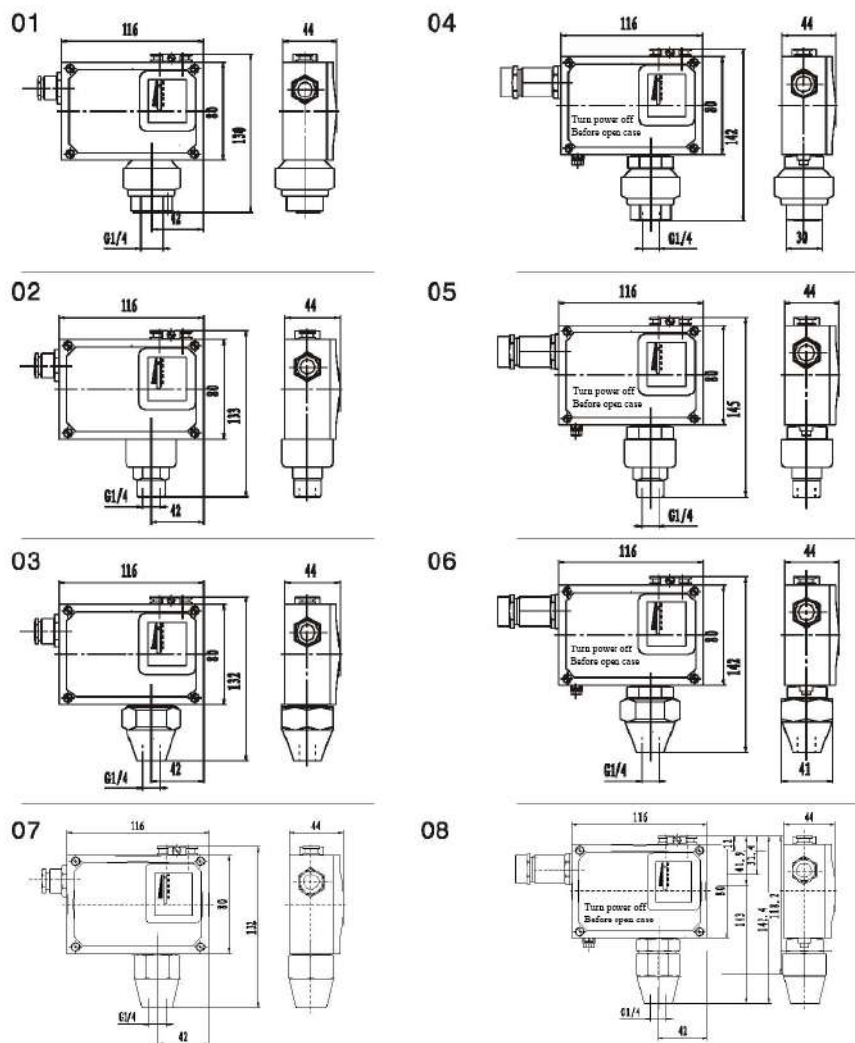
Adjustable Set Point Range (Fixed, Narrow Dead Band) Table

Model	Adjustable set point range (MPa)	Dead band		Maximum operating pressure* (MPa)	Switching frequency per min	Dimension No.	Weight (kg)	Order No.
		Lower limit (MPa)	Upper limit (MPa)					
AT502-7DK	-0.1……0	0.003	0.0045	1	20	01	1.0	0810100
	-0.1……0.1	0.003	0.005					0810200
	-0.1……0.16	0.003	0.0065					0810300
	-0.1……0.25	0.0045	0.001					0810400
	0……0.1	0.003	0.0045	1		01	1.0	0811100
	0……0.16	0.003	0.006					0811200
	0.01……0.25	0.0045	0.007					0811300
	0.02……0.4	0.012	0.016	2		02	0.85	0811400
	0.03……0.6	0.015	0.02					0811500
	0.03……1	0.018	0.03					0811600
	0.05……1.6	0.03	0.05	5		03	0.9	0811700
	0.05……2.5	0.03	0.06					0811800
0.3……6.3	0.06	0.12	8	07	0.9	0811900		

Note:

*: Operating pressure peak value cannot over maximum operating pressure value even in short-time measurement.

Dimension



How to order

AT502-7		Pressure switch			
Code	Type				
D	AT502-7D				
K	AT502-7DK				
Ex	AT502-7DEx				
Code	Set point range and dead band				
0811200	Please refer to adjustable set point range (fixed/adjustable/narrow dead band) table and select corresponding order code				
Code	Pressure connection				
G2	G1/4"				
O	Others (please specify)				
Code	Switch type				
P	Micro switch SDPT				
O	Others (please specify)				
AT502-7	D	0811200	G2	P	Order example: AT502-7D-0811200-G2-P