

Main Specifications

▼Type

Lever type / Seal type

▼Pressure range

0.3 to 25 kg/cm<sup>2</sup>

▼Operating temperature

-45°C~185°C

▼Applicable fluid

Steam / air / liquid that compatible with Stainless steel

Copper Safety Valve

Model: BSV Series



BSV Series list

Lever type	Seal type
BSV-L	BSV-S
BSV-LT	BSV-ST

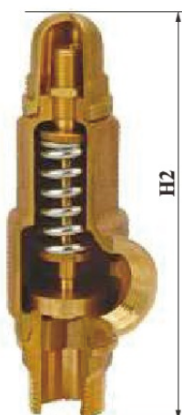


Due to the variety of customization, the picture is only for reference, please confirm the actual item with our sales. (If there is any change on specification, please take the latest version as standard.)

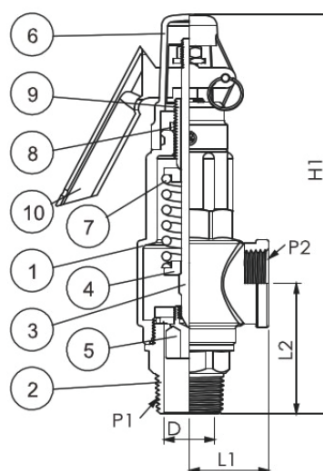
BSV-L



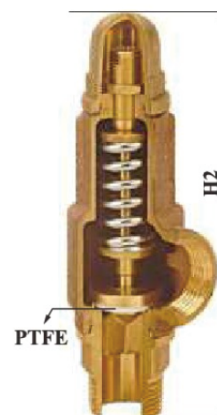
BSV-S



BSV-LT



BSV-ST



## Material Table

NO	Type	BSV-L	BSV-S	BSV-LT	BSV-ST
	Name				
1	Valve Body	Bronze	Bronze	Bronze	Bronze
2	Valve Seat	Brass	Brass	Brass	Brass
3	Stem	Brass	Brass	Brass	Brass
4	Spring Seat	Brass	Brass	Brass	Brass
5	Disc	Brass	Brass	Brass+PTFE	Brass+PTFE
6	Cap	Bronze	Brass	Bronze	Brass
7	Spring	Steel	Steel	Steel	Steel
8	Nut	Brass	Brass	Brass	Brass
9	Adjust Screw	Brass	Brass	Brass	Brass
10	Handle	Steel	-	Steel	-
Operating temperature		-45°C~185°C			

## Dimension

P1 Inlet	D Seat diameter	P2 Outlet	Lift	L1	L2	H1	H2	Weight (kg)			
								BSV-L	BSV-S	BSV-LT	BSV-ST
1/2"	13	1/2"	0.52	31	47.6	159.1	134.8	0.57	0.47	0.57	0.48
3/4"	19	3/4"	0.76	35	53.35	169.1	144.8	0.71	0.64	0.71	0.61
1"	25	1"	1	39.25	64.5	197.8	173.2	1.22	1.03	1.22	1.04
1-1/4"	32	1-1/4"	1.28	50.5	72.5	215	196.2	1.99	1.74	1.91	1.73
1-1/2"	38	1-1/2"	1.52	59.5	85.9	244.2	225.4	2.41	2.32	2.41	2.34
2"	50	2"	2	64.75	99.1	284.5	225.9	3.92	3.56	3.93	3.68

Unit : mm