

## Main Specifications

## ▼Size

2" , 2.5" , 3" , 4" , 5" , 6"

## ▼Installation type

Adjustable angle installation

## ▼Window

Glass

## ▼Process connection

Material: SS304

Thread size: 1/4" , 3/8" , 1/2"  
(Option: 3/4" , 1" )

Thread type: BSPT, NPT, PF

## ▼Stem

Material: SS304 / SS316

Outer diameter: 6.35mm

Length: 63mm ~ 2032mm

## ▼Temperature range

Min. -50°C

Max. +600°C

## ▼Applicable media

Liquid and gas that compatible  
with SS304

## ▼Liquid-filling (option)

Glycerin

## ▼Protection level

IP 54

## Other Specifications

## ▼Ring

Stainless steel

Crimp bezel

## ▼Case

SS304

With external adjustable screw  
(Hexagonal flathead screw)

## ▼Pointer

Aluminum with black enamel

## ▼Dial face

Red and black scale

Pressure unit, scale, and color  
can be customized upon  
request

## ▼Measuring elements

Bimetal

Temperature sensing area:  
last 2" ~4" of stem

## ▼Temperature accuracy

±1°C < -20°C~80°C >

## ▼Operating temperature

Stabilization: 3/4\* full scale

Short-time: 1\* full scale

## Bimetal Thermometer (Adjustable Angle Type)

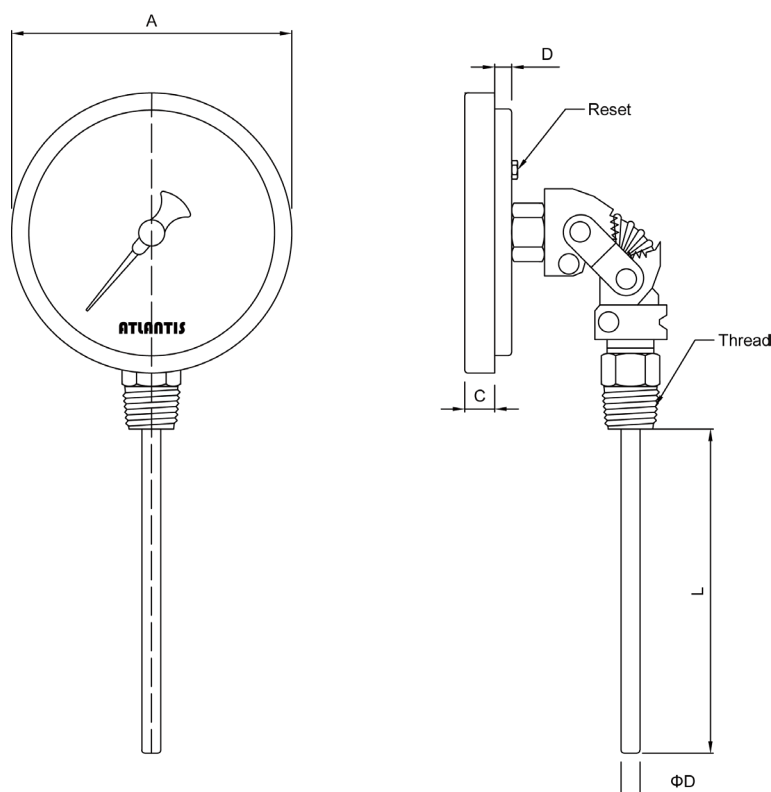
### Model: BTA

### Introduction

BTA adjustable angle type thermometer adopts bimetallic measuring elements with wide temperature measurement range (-50 to 600°C). Stem length and outer diameter can be customized upon request, which makes it suitable for various industrial environment.



### Dimension



Due to the variety of customization, the picture is only for reference, please confirm the actual item with our sales. (If there is any change on specification, please take the latest version as standard.)

### Features

- OEM services
- Bottom angle can be adjusted freely to meet various installation requirement
- All stainless steel design
- Customized stem length and outer diameter
- External adjustable screw
- Dual temperature unit scale (°C/°F)
- Filled with liquid to improve vibration-proof performance and service life (option)
- Install a switch contact (option)

## How to order

BTA Bimetal Thermometer (Adjustable Angle Type)										
Std.	Spec.	Code	Item	Code	Item	Code	Item	Code	Item	
04	Size	02	2"	025	2.5"	03	3"	04	4"	
		05	5"	06	6"	-	-	-	-	
4	Thread size	2	1/4"	3	3/8"	4	1/2"	6	3/4"	
		8	1"	0	Others	-	-	-	-	
P	Thread type	P	BSPT	N	NPT	F	PF	O	Others	
304	Stem material	304	SS304	316	SS316	O	Others	-	-	
Custom	Stem diameter	Standard: 6.35mm Other stem outer diameter available upon request								
Custom	Stem length	Standard: 63.5mm Other stem length available upon request								
Custom	Temperature range	-50...600°C Temperature unit °C / °F, single / dual scale available								
/B	Other requests	/A	Third party notarized documents			/B	Inspection report			
		/C	Tag			/D	Customized dial face (scale, color, unit, etc.)			
		/E	Thermowell (thermowell specifications are customized according to the selected stem specifications)			/F	Install a switch contact			
		/G	Filled with liquid (Improve vibration-proof and service life)			/H	Window - safety glass (only available for > 4" )			
		/I	Install an swivel nut on connection			/J	Window - rubber O-ring sealed			
		/K	Case material SS316			/L	Knife edge pointer			
		/M	Concaved dial face for easy reading			/N	Remove external adjustable screw			
		/O	Remove anti-sway pointer (increase sensibility)			/P	Remove stem thread (min. 35mm 200~300°C)			

Order example: BTA - 04 - 4 - P - 304 - 6.35mm - 63.5mm - (0 to 100°C) - /B