

# ø60 Digital Pressure Gauge

## Model: DPG-Q2.5-PSD

### Introduction

DPG-Q2.5-PSD digital pressure gauge adopts high tech piezoresistive silicon chip pressure sensor. The output signal will be processed through a high accuracy and low temperature drift amplifier then processed by a high accuracy analog to digital converter. The signal will be transformed to digital signal which microprocessor can process. The LCD screen will display the calculated value. DPG-Q2.5-PSD features easy, installation operation and setting, which is suitable for fluid pressure measurement in industrial application.



Due to the variety of customization, the picture is only for reference, please confirm the actual item with our sales. (If there is any change on specification, please take the latest version as standard.)

### Features

- 4-digit 0.36" LED screen display without visual error
- The blue LED light ensures clear reading in strong light environment
- External power supply - 8~30VDC
- ø60mm back mount with flange installation
- Field zero & offset calibration

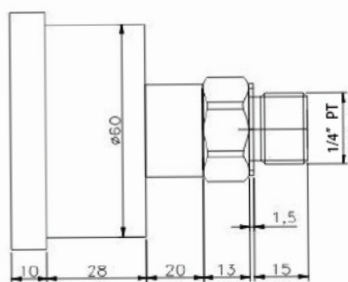
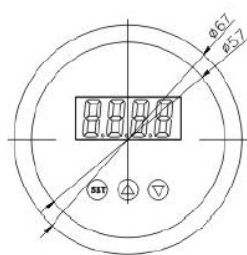
### Main Specifications

- ▼ **Size**  
2.5" (60mm)
- ▼ **Installation type**  
Back mount (AD) /  
Back mount with flange (BD)
- ▼ **Pressure connection**  
Material: SS304  
1/4" PT  
1/2" PT  
M20 x1.5  
Other thread types can be customized upon request
- ▼ **Pressure range**  
Gauge pressure ▼  
0~1000 bar  
Negative pressure ▼  
-1~0bar
- ▼ **Applicable fluid**  
Liquid and gas that compatible with SS304
- ▼ **Ambient temperature**  
-30°C to +80°C
- ▼ **Relative humidity**  
0~90% R.H.

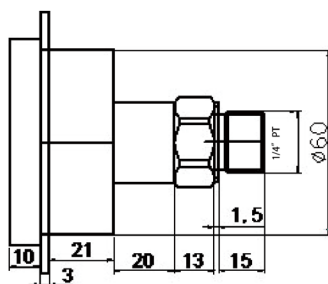
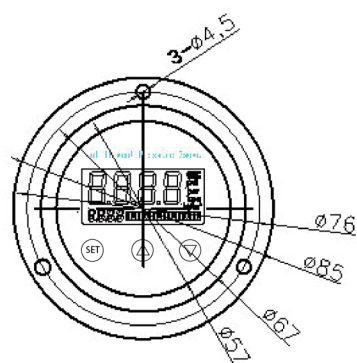
### Other Specifications

- ▼ **Case**  
Stainless steel
- ▼ **Case**  
SS304
- ▼ **Screen display**  
4-digit LED display  
Reading height: 0.36" blue light tube
- ▼ **Power supply**  
8~30VDC external power supply
- ▼ **Pressure unit**  
Standard: MPa  
Option: psi, bar, kPa or kg/cm<sup>2</sup>,
- ▼ **Resolution**  
0.001
- ▼ **Measuring elements**  
High-tech piezoresistive silicon chip & SS316L diaphragm
- ▼ **Accuracy**  
±1.0%F.S. (standard)  
±0.5%F.S. (options)
- ▼ **Stability**  
≤ 0.1%/year
- ▼ **Operating pressure**  
Overpressure: 1.5\* F.S.

### Dimension



### AD Back mount type



### BD Back mount with flange

## How to order

DPG-Q2.5-PSD ø60 Digital Pressure Gauge									
Std.	Spec.	Code	Item	Code	Item	Code	Item	Code	Item
BD	Installation type	AD	Back mount	BD	Back mount with flange	–	–	–	–
Custom	Pressure range	-1...0 to 1000bar							
2P	Pressure connection	2P	1/4" PT	4P	1/2" PT	M20	M20*1.5	O	Others
10	Accuracy	10	±1.0%F.S.	05	±0.5%F.S.	–	–	–	–
/B	Other demands	/A	Third party notarized documents						
		/B	Inspection report						
		/C	Tag						
		/D	Customized dial (brand, color, etc.)						
		/E	Thread adapter: to adapt other thread						

Order example: DPG-Q2.5-PSD - BD - (0-100bar) - 2P - 10 - /B