

Main Specifications

- ▼Installation type
Bottom mount
Back mount
- ▼Size
2.5" (60mm)
- ▼Pressure connection
Material: SS 304
M20*1.5
G1/4"
G1/2"
1/2" NPT
1/4" NPT
Other thread type available upon request
- ▼Pressure range
Please refer to pressure range table
- ▼Applicable media
Liquid and gas that compatible with material of connection
- ▼Operating temperature
-10~60°C
- ▼Protection level
IP50
IP54 (with rubber)

Other Specifications

- ▼Case material
SS304
- ▼Screen display
4-digit LCD display with backlight function
- ▼Switchable pressure unit
bar, psi, kgf/cm², MPa
- ▼Overpressure
120% (≥10MPa)
150% (<10MPa)
- ▼Power supply
3V / 24V
- ▼Battery life
One year
- ▼Accuracy
±1.0%F.S.
- ▼Stability
±0.5%F.S. /year

Digital Pressure Gauge

Model: DPG-X062

Introduction

DPG-X062 is an economic cost, convenient use and high performance digital pressure gauge, suitable for various instrument. It adopts latest temperature compensation technology to ensure ±1.0%F.S. accuracy.



Due to the variety of customization, the picture is only for reference, please confirm the actual item with our sales. (If there is any change on specification, please take the latest version as standard.)

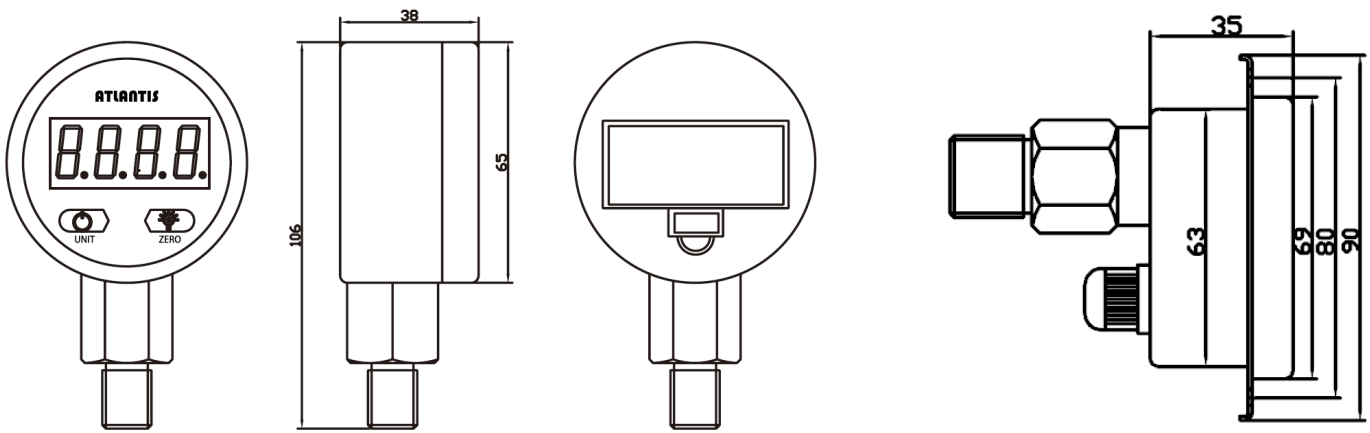
Features

- OEM service
- Switchable unit, zero reset, backlight and automatic shutdown
- LCD screen with backlight ensures clear reading in the dark place
- Adopt temperature compensation technology, full scale accuracy ± 1.0%

Pressure range table

Pressure type	Pressure range	Code
Vacuum	-100~0 kPa	K1
Micro Pressure	0~100···160···250 kPa	K2
Middle Pressure	0~0.4···0.6···4 MPa	M1
High Pressure	0~6···25···60 MPa	M2
Differential Pressure	0~0.01···0.6···1.6 MPa	M3

Dimension (mm)



Bottom mount

Back mount

How to order

DPG-X062 Digital Pressure Gauge									
Std.	Spec.	Code	Item	Code	Item	Code	Item	Code	Item
A	Installation type	A	Bottom mount	B	Back mount	-	-	-	-
4N	Pressure connection	M20	M20*1.5	G2	G1/4"	G4	G1/2"	2N	1/4" NPT
		4N	1/2" NPT	O	Others	-	-	-	-
Custom	Pressure range	Please refer to Pressure Range Table and select corresponding code							
B	Power supply	B	3V	V	24V	-	-	-	-
/B	Other requests	/A	Third party notarized document						
		/B	Inspection report (issued by Re-Atlantis)						
		/C	Tag						
		/D	With rubber						

Order example: DPG-X062 - A - 4N - M1 - B - /B