

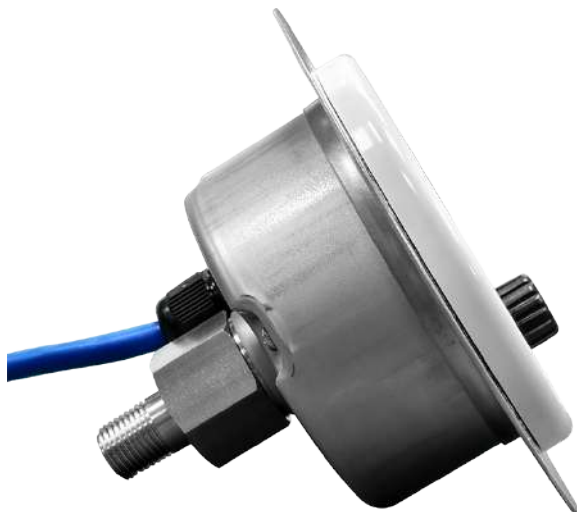
Main Specifications

- ▼ **Size**
3.5" (92mm)
- ▼ **Installation types**
Bottom mount ,
Back mount
- ▼ **Pressure connection**
Material: Stainless Steel 316L
1/4" , 1/2"
PT, NPT, PF
- ▼ **Pressure Range**
Please refer to the pressure
range table
- ▼ **Addlicable Fluid**
Non-corrosive gases or liquids
compatible with the
connecting parts
- ▼ **Operation Temperature**
-20°C~85°C
- ▼ **Protect level**
IP65

Other Specifications

- ▼ **Ring**
Stainless Steel 304
- ▼ **Display**
50mm*14mm
4-digit LCD
Backlight display
- ▼ **Pressure unit**
psi , bar, MPa, kg/cm²
- ▼ **Output Options**
Relay output, Transistor output
- ▼ **Power Supply**
Lithium battery
External power supply DC
3.7V~5V
- ▼ **Accuracy**
±0.4%F.S. (Standard)
±0.2%F.S. (Options)
With temperature compensation

**Digital Pressure Switch
Model: DPS-919**



Due to the variety of customization, the picture is only for reference, please confirm the actual item with our sales. (If there is any change on specification, please take the latest version as standard.)

Features

- OEM service
- Large-size LCD screen
- Wide operating voltage range
- Two output options
- Allows 20% overvoltage

Pressure Range Table

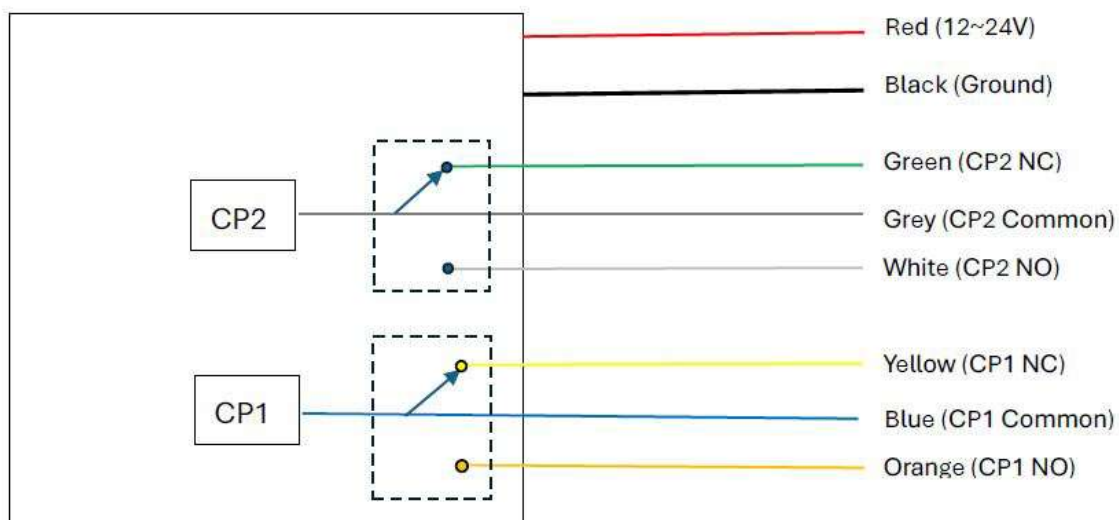
Code	Pressure range	Number of digits displayed on the screen				Max. overpressure range
		psi	bar	Kg/cm ²	MPa	
A1	400 bar	XXXX	XXX.X	XXX.X	XX.XX	480 bar
B2	250 bar	XXXX	XXX.X	XXX.X	XX.XX	300 bar
C3	160 bar	XXXX	XXX.X	XXX.X	XX.XX	192 bar
D4	100 bar	XXXX	XXX.X	XXX.X	XX.XX	120 bar
E5	40 bar	XXX.X	XX.XX	XX.XX	X.XXX	60 bar
F6	25 bar	XXX.X	XX.XX	XX.XX	X.XXX	30 bar
G7	10 bar	XXX.X	XX.XX	XX.XX	X.XXX	12 bar

Note:

1. The pressure fluid should be compressed air or hydraulic oil; use with corrosive fluids is prohibited.
2. Ensure an accuracy of $\pm 0.2\%$ F.S. within one year.
3. Temperature compensation range: -10 to 50°C.

Upright Type

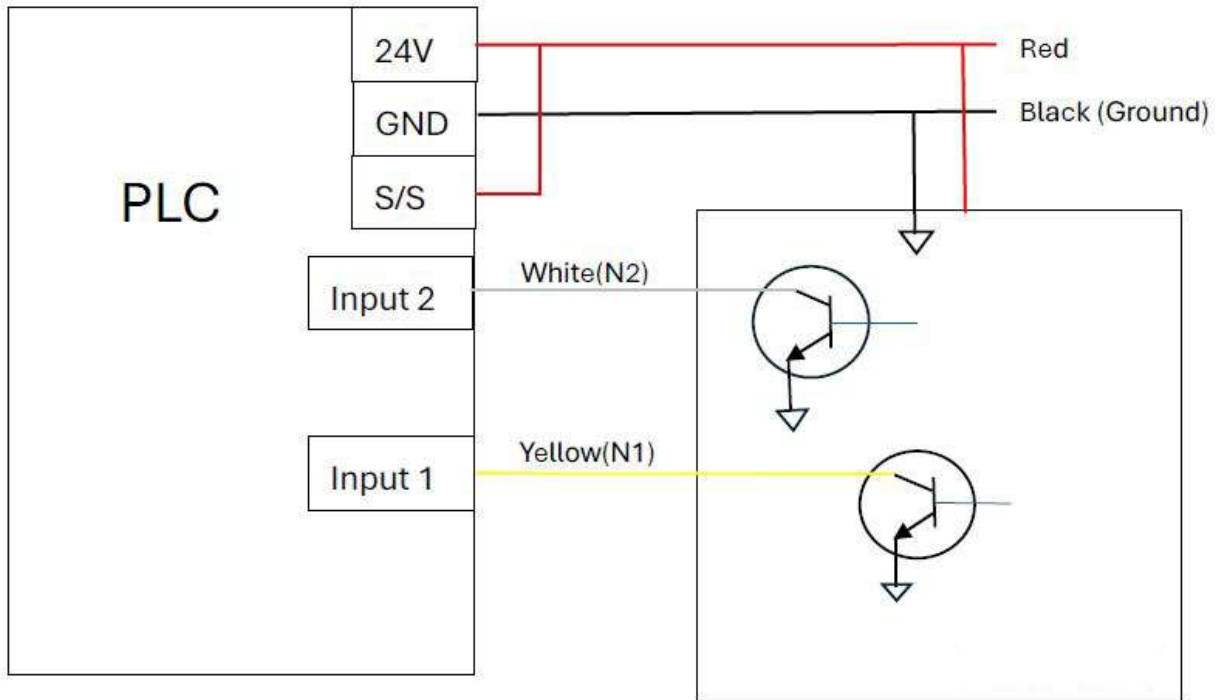
Relay



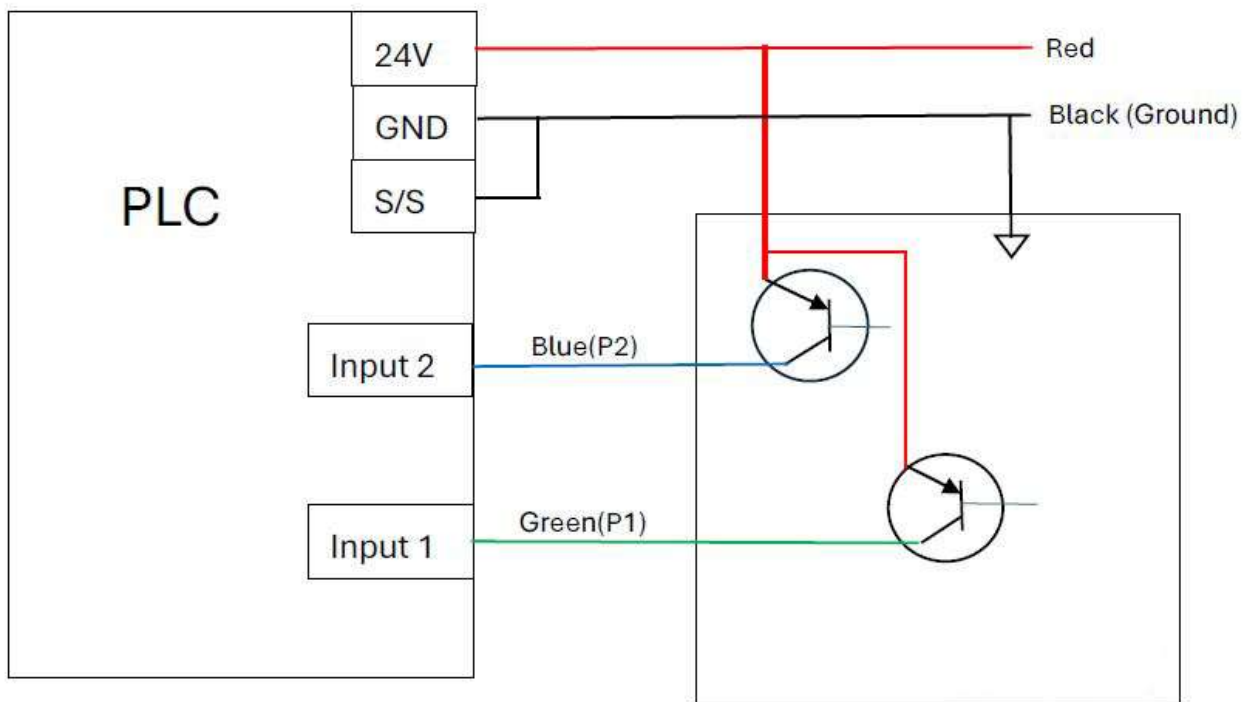
Note: The contact capacity of the relay is 200mA. If the load exceeds this, a higher capacity relay must be added externally.

(If there is a buzzing sound after turning on the machine, it is the sound of the relay operating, do not worry!)

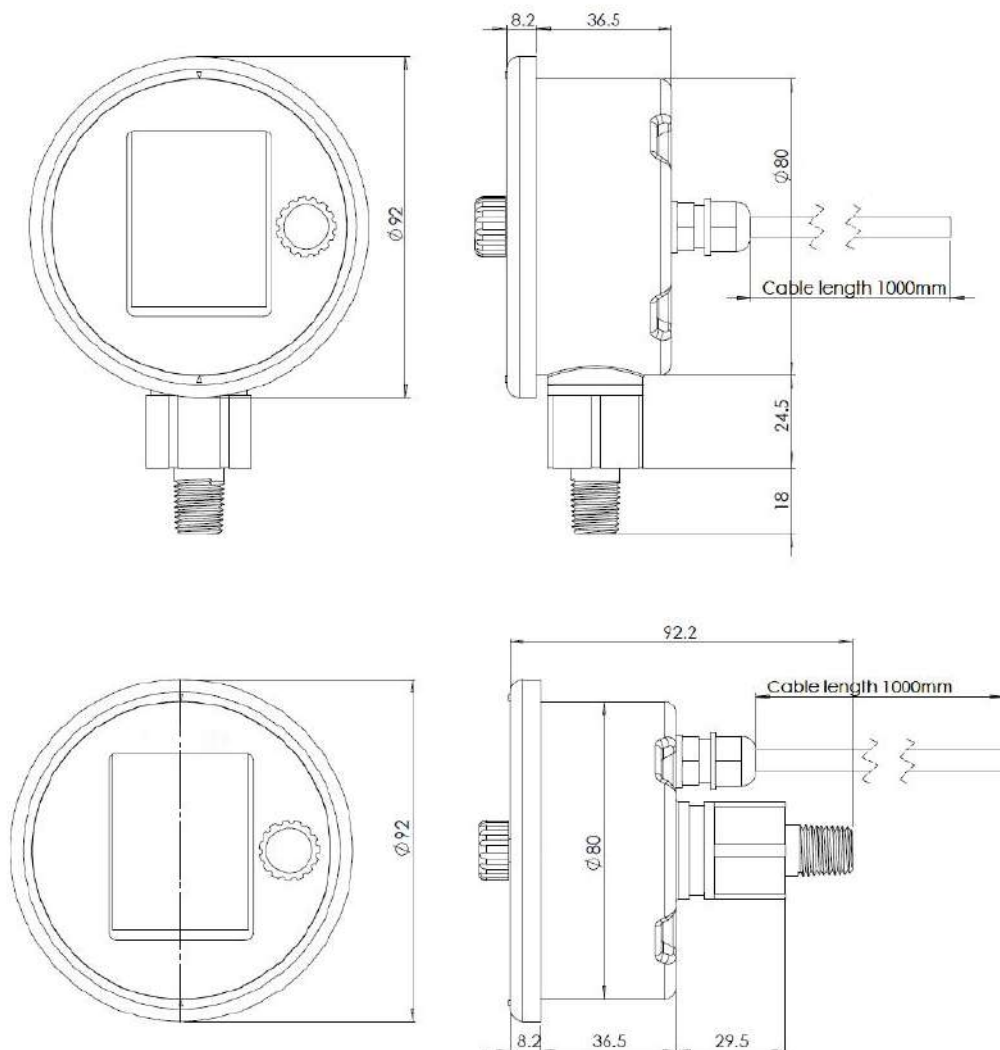
Transistor (N-type)



Transistor (P-type)



Dimensions



How to order

DPS-919 Digital Pressure Switch									
Std.	Spec.	Code	Item	Code	Item	Code	Item	Code	Item
B	Installation types	A	Bottom mount	B	Back mount	-	-	-	-
2	Thread size	2	1/4"	4	1/2"	-	-	-	-
P	Thread type	P	PT	N	NPT	F	PF	-	-
Custom	Pressure range	Please refer to the pressure range table and select the corresponding code.							
R	Output	R	Relay	T	Transistor	-	-	-	-
E	Power supply	L	Lithium Battery	E	External Power Source	-	-	-	-
/B	Other requests	/A	Third party notarized document						
		/B	Inspection report (issued by Re-Atlantis)						
		/C	Tag						

Order example: DPS-919 - B - 2 - P - B2 - R - E - /B