

**Main Specifications**

- ▼ **Size**  
4" (100mm)
- ▼ **Installation type**  
Bottom mount /  
Back mount with flange
- ▼ **Pressure connection**  
Material: SS304L  
1/4" PT  
Other thread specifications are available upon request
- ▼ **Pressure range**  
Positive pressure:  
0...0.1 to 100MPa  
Negative pressure:  
-0.1...0 MPa
- ▼ **Applicable fluid**  
Liquid and gas that compatible with connection's material
- ▼ **Ambient temperature**  
-20°C to +70°C
- ▼ **Fluid temperature**  
+80°C
- ▼ **Operating humidity**  
35~85% R.H.
- ▼ **Atmospheric pressure**  
860...1060 mbar
- ▼ **Protection level**  
IP54

**Other Specifications**

- ▼ **Case**  
SS304L / Plastic
- ▼ **Screen display**  
4-digit LED display
- ▼ **Screen size**  
40 (W) x 17 (H) mm
- ▼ **Pressure unit**  
Switchable unit:  
MPa, psi, kg/cm<sup>2</sup>, Ton
- ▼ **Resolution**  
0.001
- ▼ **Power supply**  
DC: 12V / 24V  
AC: 220V / 380V
- ▼ **Power consumption**  
1W
- ▼ **Switch alarm signal**  
Relay x1 (standard) /  
Relay x2 (option)
- ▼ **Measuring elements**  
High-tech silicon chip  
SS 316L diaphragm
- ▼ **Accuracy**  
±0.5%F.S. (standard)  
±0.2%F.S. (option)  
±1.0%F.S. (option)
- ▼ **Overpressure protection**  
1.5\*F.S.

## Digital Pressure Switch

**Model: DPS-K4.0**

### Introduction

DPS-K4.0 integrated pressure measurement and control in one design with easy upper/lower limit and pressure unit setting. The bistable control circuit with no mechanical contact ensures its long service life.



**Back mount with flange**



Due to the variety of customization, the picture is only for reference, please confirm the actual item with our sales. (If there is any change on specification, please take the latest version as standard.)

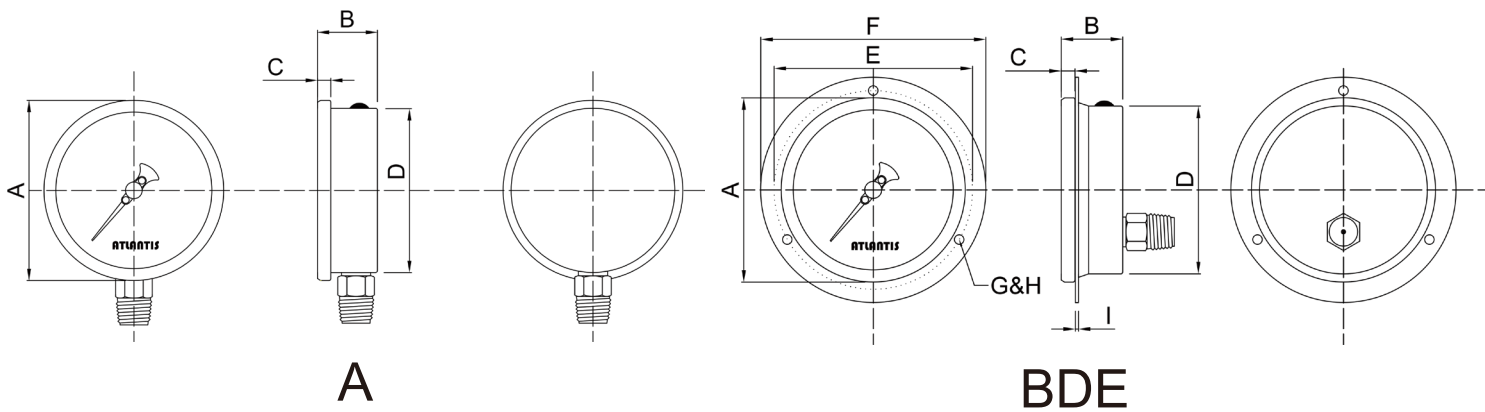


**Bottom mount**

### Features

- OEM service
- Easy switch wiring and setting
- Affordable price with long service life
- In-built relay x1 or x2
- Adjustable upper and lower limit
- Switchable pressure unit
- One-button reset to zero
- Vibration-resistance design
- Short circuit and reverse current protection

Dimension



How to order

DPS-K4.0 Digital Pressure Switch									
Std.	Spec.	Code	Item	Code	Item	Code	Item	Code	Item
BD	Installation type	A	Bottom mount	BD	Back mount with flange	-	-	-	-
2P	Pressure connection	2P	1/4" PT	O	Others	-	-	-	-
Custom	Pressure range	-1...0~600bar							
SS	Case material	SS	SS304L	P	Plastic	-	-	-	-
R1	Switch alarm signal	R1	Relay *1	R2	Relay *2	-	-	-	-
05	Accuracy	05	±0.5%F.S.	02	±0.2%F.S.	10	±1.0%F.S.	-	-
/B	Other requests	/A	Third party notarized document						
		/B	Inspection report (issued by Re-Atlantis)						
		/C	Tag						
		/D	Customized dial face (brand, color, etc.)						

Order example: DPS-K4.0 - BD- 2P - (0-300MPa) - SS - R1 - 05 - /B