

**Main Specifications**

▼ **Pressure connection**  
 Material: SS304 / 316  
 M20x1.5, G1/4" , G1/2"  
 1/4" NPT (F), 1/4" NPT (M)  
 1/2" NPT (F), 1/2" NPT (M)

▼ **Electrical connection**  
 M12x1 4-pin aviation plug /  
 M12x1 5-pin aviation plug  
 For more specifications please  
 refer to the selection table

▼ **Pressure range**  
 0...1kPa~40MPa  
 For details please refer to  
 pressure range table

▼ **Analog output signal**  
 4-20mA (Transmission  
 distance <1000m)

▼ **Switch output signal**  
 NPN / PNP

▼ **Digital output signal (option)**  
 RS485  
 (Transmission distance  
 <1200m)

▼ **Applicable media**  
 Liquid and gas that compatible  
 with pressure connection

▼ **Media temperature**  
 -40 to 120°C

▼ **Ambient temperature**  
 -40 to 85°C

▼ **Storage temperature**  
 -40 to 85°C

▼ **Relative humidity**  
 0...95%RH@40°C

▼ **Protection level**  
 IP67

**Other Specifications**

▼ **Screen display**  
 5-digit OLED screen

▼ **Screen size**  
 23 x 13mm

▼ **Pressure unit**  
 kPa, MPa, bar, psi, mmHg,  
 mmH<sub>2</sub>O, mH<sub>2</sub>O, inH<sub>2</sub>O, ftH<sub>2</sub>O,  
 inHg, mHg, Torr, mbar, g/cm<sup>2</sup>,  
 kg/cm<sup>2</sup>, Pa, atm, mm, m

▼ **Power supply**  
 12...30VDC

▼ **Rated current**  
 ≤60mA (4-20mA)  
 ≤45mA (RS485)

▼ **Power consumption**  
 ≤1.44W (4-20Ma output)  
 ≤1.08W (RS485 output)

▼ **Measuring element**  
 Stainless steel welding with  
 isolation diaphragm  
 Material: SS316 / Hastelloy C  
 Inside liquid filling: Silicon oil

▼ **Stability**  
 ±0.2% F.S./ 5 years

▼ **Comprehensive accuracy**  
 ±0.25% F.S. (standard)  
 ±0.1% F.S. (options)

▼ **Insulation resistance**  
 ≥20mΩ, 100VDC

▼ **Load resistance**  
 < (Power supply-12)/ 0.06

▼ **Weight**  
 About 1kg  
 (Not include mounting  
 brackets and threaded fittings)

**Digital Pressure Switch**

**Model: DPS-L131**

**Introduction**

DPS-L131 is a high performance digital pressure switch adopts monocrystalline silicon sealing technology and integrated design. The sensor is located on the top of the body, away from the media contact surface, with mechanical isolation and thermal isolation and other functions. DPS-L131 can be applied to the extreme chemical environment, mechanical load and electromagnetic interference and other harsh industrial pressure measurement and control requirements.



Due to the variety of customization, the picture is only for reference, please confirm the actual item with our sales. (If there is any change on specification, please take the latest version as standard.)

**Features**

- 5-digit OLED highlight screen display, three-button control design
- Switchable three display modes: Pressure value + unit / Percentage + pressure value + unit / SPn, pressure value and RPn
- 350° rotatable head · 180° flip screen, suitable to read from any angle
- NPN / PNP switch signal output
- RS485 signal output available
- Various switchable pressure units
- Save and track the measured data
- Independent breathable cavity structure, isolate the gas-conducting end from the electronic room, reduce the impact of external temperature and humidity
- Protection level IP67

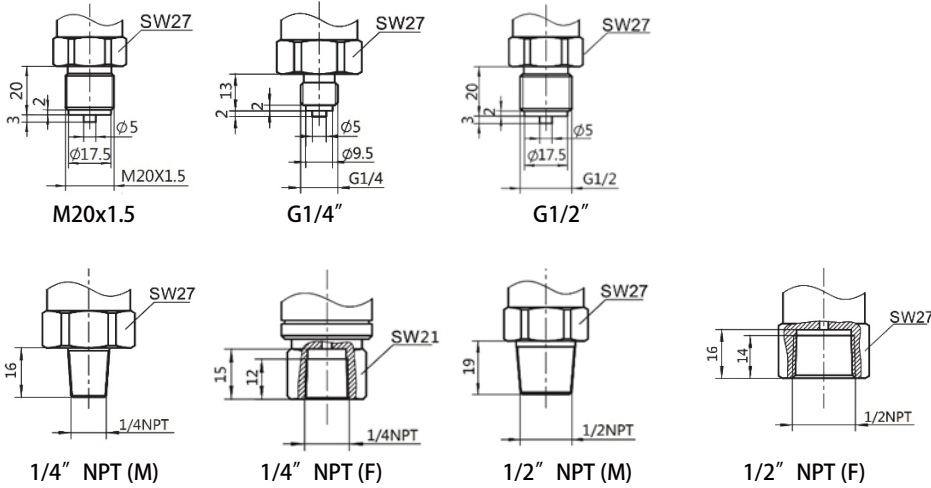
**Pressure range table**

Nominal range	Description	
6kPa	Range upper and lower limit: -6...6kPa	Min. range: 1kPa
40kPa	Range upper and lower limit: -40...40kPa	Min. range: 2kPa
250kPa	Range upper and lower limit: -100...250kPa	Min. range 12.5kPa
1MPa	Range upper and lower limit: -0.1...1MPa	Min. range 50kPa
3MPa	Range upper and lower limit: -0.1...3MPa	Min. range 150kPa
10MPa	Range upper and lower limit: -0.1...10MPa	Min. range 500kPa
40MPa	Range upper and lower limit: -0.1...40MPa	Min. range 5MPa

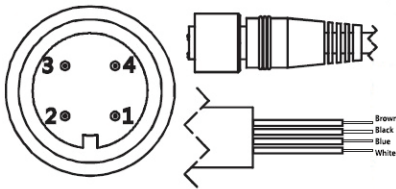
Note:  
 Set the upper and lower limit value requirements: The lower limit value (LRV) and the upper limit value (URV) within the range of upper and lower limits, the minimum range ≤ |URV-LRV| ≤ upper range limit

## Dimensions

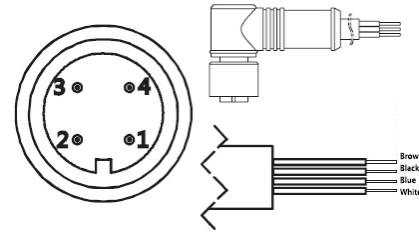
### Thread specifications



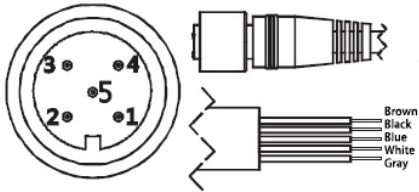
### Electrical connector



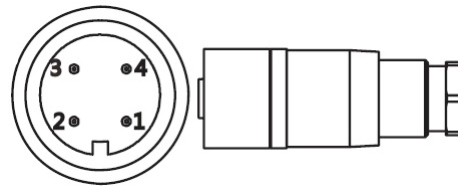
4-pin aviation plug straighter with 2M cable



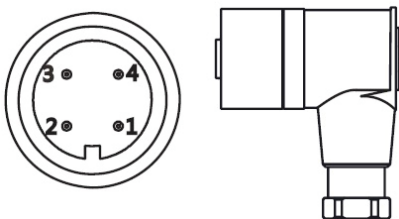
4-pin aviation plug elbow with 2M cable



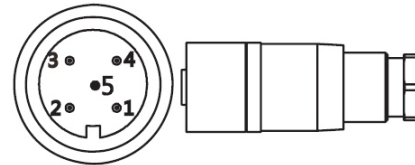
5-pin aviation plug straighter with 2M cable



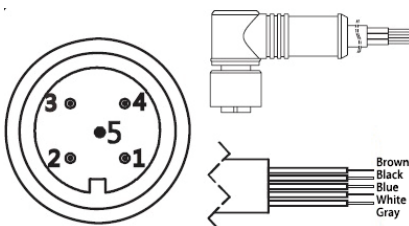
4-pin aviation plug straighter without cable



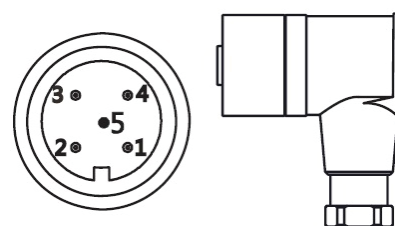
4-pin aviation plug elbow without cable



5-pin aviation plug straighter without cable

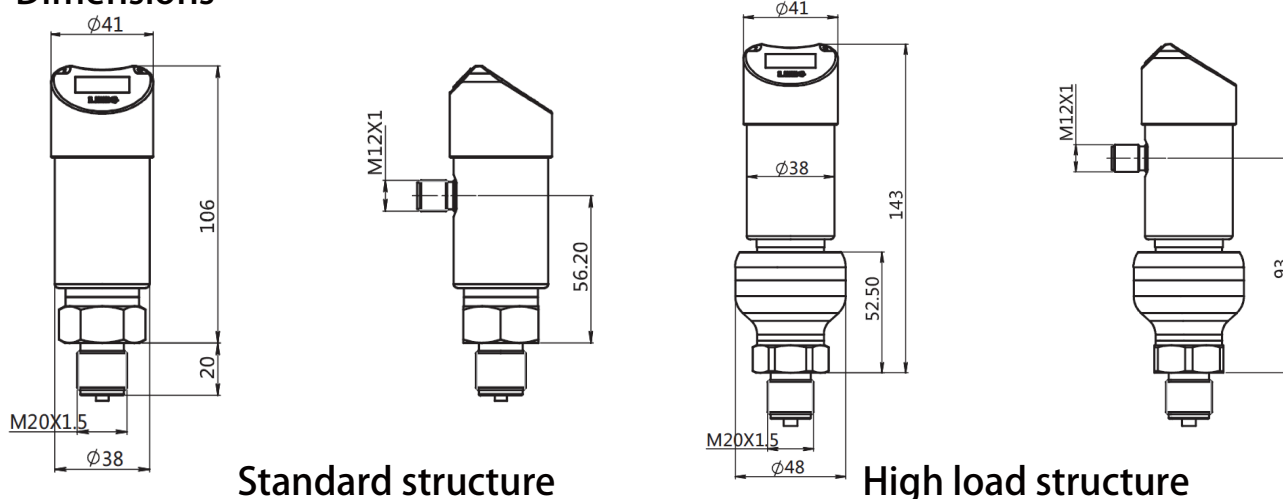


5-pin aviation plug straighter with 2M cable



5-pin aviation plug elbow without cable

## Dimensions



Standard structure

High load structure

## How to order

DPS-L131 Digital Pressure Switch										
Std.	Spec.	Code	Item	Code	Item	Code	Item	Code	Item	
S	Structure	S	Standard structure	H	High load structure	-	-	-	-	
4G	Pressure connection	4G	G1/2"	2G	G1/4"	4N (M)	1/2" NPT (M)	4N (F)	1/2" NPT (F)	
		2N (M)	1/4" NPT (M)	2N (F)	1/4" NPT (F)	M20	M20x1.5	-	-	
J1	Electrical connector	J1	4-pin aviation plug straighter with 2M cable	J2	4-pin aviation plug elbow with 2M cable	J3	5-pin aviation plug straighter with 2M cable	J4	4-pin aviation plug straighter without cable	
		J5	4-pin aviation plug elbow without cable	J6	5-pin aviation plug straighter without cable	J7	5-pin aviation plug elbow with 2M cable	J8	5-pin aviation plug elbow without cable	
Custom	Pressure range	Gauge pressure - (0...6kPa to 10MPa) Compound pressure - (-0.1 to 40MPa) Negative pressure - (-20 to 0kPa) Sealed pressure - (0 to 40MPa)								
G	Pressure type	G	Gauge pressure	C	Compound pressure	V	Negative pressure	S	Sealed pressure	
304	Connection material	304	SS304	316	SS316	O	Others	-	-	
316	Diaphragm material	316	SS316	HC	Hastelloy C	-	-	-	-	
FN	Signal output	FN	4-20mA+NPN	FP	4-20mA+PNP	-	-	-	-	
1	Contacts number	1	One set	2	Two set	-	-	-	-	
Y	Screen display	N	No	Y	LED display	-	-	-	-	
N	RS485 output	N	No	Y	RS485	-	-	-	-	
A1	Contact alarm setting	W1	Custom setting	A1	Factory setting	-	-	-	-	
L1	Alarm method	L1	Lower than alarm value, output high electrical level	H1	Higher than alarm value, output high electrical level	C1	Alarming in window	C2	Alarming out window	
025	Accuracy	025	±0.25% F.S.	01	±0.1% F.S.	-	-	-	-	
/D	Other requests	/A	Third party notarized documents			/B	Inspection report			
		/C	Tag			/D	Specify factory set pressure alarm value			
		/E	Heat exchange connector - condenser tube			/F	Heat exchange connector - cooling fin			
		/G	M20x1.5 female thread welded adapter			/H	G1/2" female thread welded adapter			
		/I	Electrolytic polishing liquid contact portion			-	-			

Order example: DPS-L131 - S - 4G - J1 - 0...1MPa - G - 304 - 316 - FN - 1 - Y - N - A1 - L1 - 025 - /D