

Main Specifications

▼ Pressure connection

Material: stainless steel

M20 x 1.5

G1/2"

For other connection specifications please specify your requests before order

▼ Electrical connection

Hirschmann / Wire boot /

Packard / Aviation plug

▼ Pressure range

Type: differential pressure

Min.: 35kPa

Max: 7MPa

▼ Applicable fluid

Gas and liquid that compatible with stainless steel

▼ Operating temperature

-20 to 85°C

(option: -20 to 150°C)

▼ Protection level

IP 65 (Hirschmann connector)

IP 66 (Wire boot)

IP 67 (Aviation plug and

Packard connector)

Other Specifications

▼ Housing

Stainless steel

▼ Power supply

12~36VDC (standard 24V)

▼ Output signal

4~20mA (2-wire)

▼ Measuring elements

Diaphragm

Material: SS316L/Ceramic

▼ Resistive load

750Ω

▼ Zero & span temp. drift

±0.02% F.S.

▼ Accuracy

0.1/0.25/0.5% F.S.

▼ Repeatability

≤ 0.1/0.25/0.5% F.S.

▼ Stability

±0.25% F.S. / year

▼ Overpressure

3*F.S.

▼ Response time

≤ 1ms

▼ Service life

> 9,000,000 cycles

▼ Weight

180g

Differential Pressure Transmitter (Anti-corrosive Type)

Model: DPT-AC

Introduction

DPT-AC differential pressure transmitter adopts high quality SS316L diaphragm pressure sensor. With high accuracy and strong anti-corrosive features, it is suitable for petroleum, chemical and electrical industry, air-conditioning system, energy and wastewater treatment system, auto control system and industry process control.



Caution:

"H" indicates high pressure port, "L" indicates low pressure port. It cannot be connected reversely.



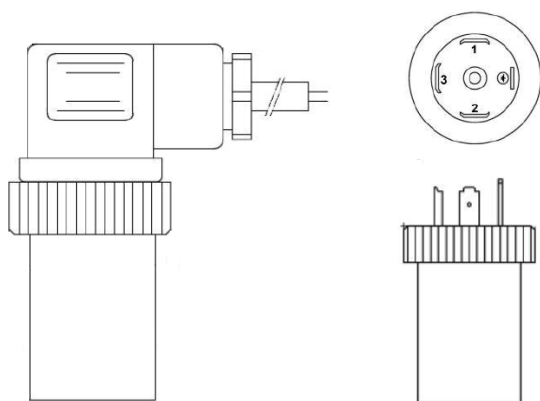
Due to the variety of customization, the picture is only for reference, please confirm the actual item with our sales.

(If there is any change on specification, please take the latest version as standard.)

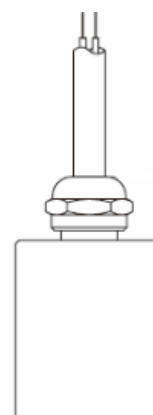
Features

- OEM service
- Wide measurement range: 0~35kPa~7MPa
- Compact design with easy installation
- High accuracy and stability
- Strong anti-corrosive SS316L diaphragm
- Operating temperature can up to 150°C (option)

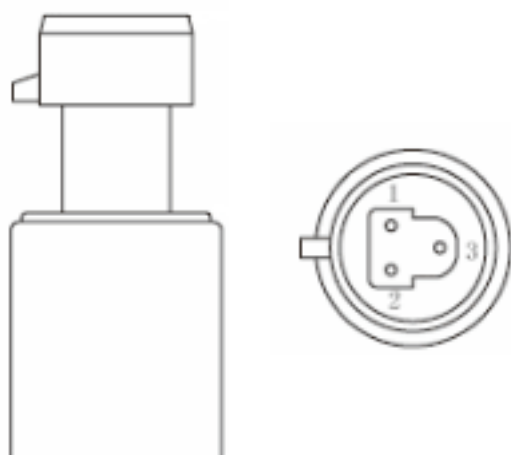
Electrical connection



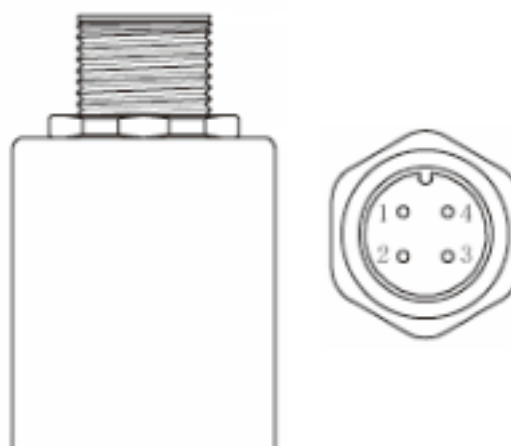
Hirschmann (DIN 43650) connector		
2 wire (current)	Pin 1	+ Power supply
	Pin 2	Current Output
3 wire (voltage)	Pin 1	+ Power supply
	Pin 2	- Power supply
	Pin 3	Voltage Output



Wire boot		
Two-wire system (current)	Red wire	+ Power supply
	Green wire	Current Output
Three-wire system (voltage)	Red wire	+ Power supply
	Blue wire	Ground
	Yellow wire	Voltage Output



Packard connector		
2 wire (current)	Pin 1	+ Power supply
	Pin 2	Current Output
3 wire (voltage)	Pin 1	+ Power supply
	Pin 2	Ground
	Pin 3	Voltage Output



Aviation plug		
2 wire (current)	Red wire	+ Power supply
	Green wire	Current Output
3 wire (voltage)	Red wire	+ Power supply
	Blue wire	Ground
	Yellow wire	Voltage Output

How to order

DPT-AC		Differential pressure transmitter (anti-corrosive type)				
Code	Differential pressure range					
Custom	0...35kPa~7MPa					
Code	Pressure connection					
M20	M20x1.5					
4G	G1/2"					
O	Others (please specify)					
Code	Electrical connection					
H	Hirschmann DIN43650					
W	Wire boot					
P	Packard					
A	Aviation plug					
Code	Accuracy					
1	0.1% F.S.					
2	0.25% F.S.					
3	0.5% F.S.					
Code	Diaphragm material					
SS	SS316L					
C	Ceramic					
Code	Other requests					
/A	Third party notarized document					
/B	Inspection report					
/C	Tag					
/D	High operating temperature (-20 to 150°C)					
DPT-AC	0~35kPa	4G	H	1	SS	Ordering example: DPT-AC-0~35kPa-4G-H-1-SS