

Main Specifications

▼ Size

2.5"

▼ Installation type

Bottom mount (A) /

Back mount with flange (BDC)

▼ Window

PC

▼ Pressure connection

Material: copper alloy

Bottom mount:

1/8" NPT

Back mount:

7/16" UNF (1/4" SAE)

For other thread specifications
please specify before order

▼ Pressure range

Low pressure gauge ▼

-76cmHg...0... 125 to 250 psi

-76cmHg...0... 250 to 500 psi

High pressure gauge ▼

0 ... 500psi to 800 psi

▼ Applicable refrigerant

R12 / R22 / R502 / R404A /

R410A / R507 / R134a

For other special refrigerant
measurement demand please
inform before ordering

▼ Ambient temperature

-40°C to +60°C

▼ Fluid temperature

+60°C

▼ Temperature error

Every ±12 °C

max. error: ±0.3% F.S

▼ Protection level

IP54

Other Specifications

▼ Ring

Stainless steel

▼ Ring mount

Crimp

▼ Case

SS304

▼ Pointer

Aluminum with black enamel

▼ Dial face

Special dial face for
refrigeration gauge

Refrigerant-temperature

corresponding scale

Pressure unit (custom):

kg/cm², psi, bar, kPa,

Temperature unit:

°C, °F

With adjustable screw

▼ Measuring elements

Bourdon tube

Material:

Bronze (high pressure) /

Phosphor bronze (low pressure)

▼ Movement

Copper alloy

▼ Accuracy

±2.5%

▼ Operating pressure

Stabilization 3/4* full scale

Fluctuation 2/3* full scale

Impulse 1* full scale

Stainless Steel Case Refrigeration Gauge

Model: F-SC

Introduction

F-SC mechanical refrigeration pressure gauge adopts special dial face with various refrigerants application. It has widely applied in a variety of refrigeration systems pressure measurement, such as air conditioning, refrigerant filling equipment.



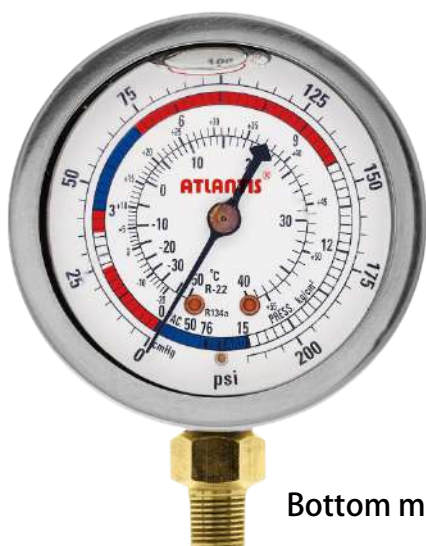
Back mount type



Due to the variety of customization, the picture is only for reference, please confirm the actual item with our sales. (If there is any change on specification, please take the latest version as standard)

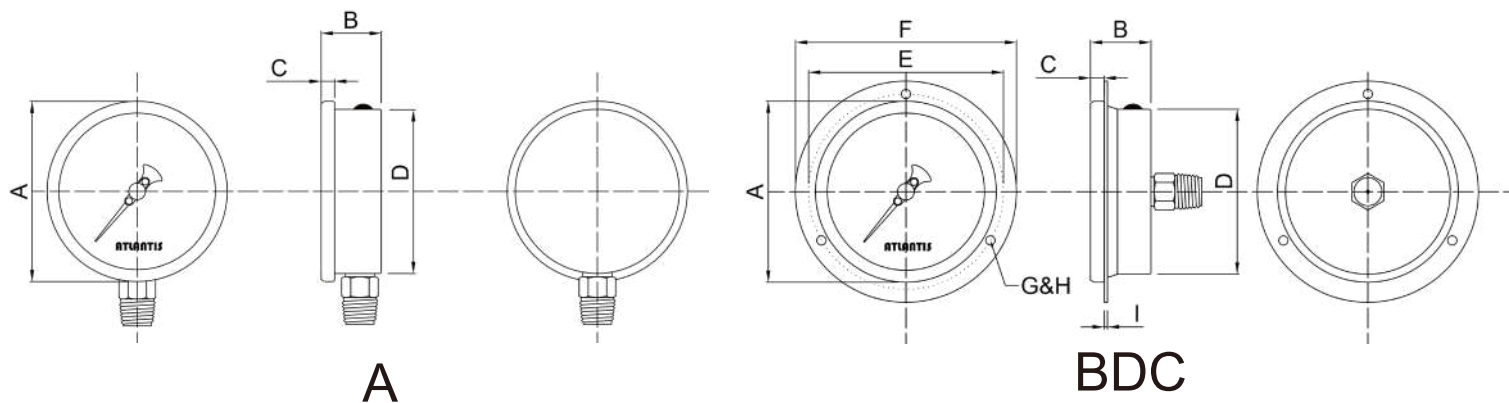
Features

- OEM service
- Stainless steel case design
- Suitable for various refrigerant measurement - R12 / R22 / R404A / R410A / R502 / R507 / R134a
- Special dial face for refrigeration gauge
- Retard scale on dial face for low pressure gauge
- Multiple choices of size and installation types
- Liquid-filling type available for better protection



Bottom mount oil-filled type

Installation type



How to Order

F-SC		Stainless Steel Case Refrigeration Gauge			
Code		Installation type			
A		Bottom mount			
BDC		Back mount with flange (Centric thread)			
Code		Pressure connection			
1N		1/8" NPT (Bottom mount)			
UNF		7/16" UNF (Back mount)			
O		Others			
Code		Refrigerant (Multiple selection)			
Custom		R12 / R22 / R502 / R404A / R410A / R507 / R134a			
O		Others			
Code		Material of case			
304		SS 304			
316		SS 316			
O		Others			
Code		Other demands			
/A		Third party notarized document			
/B		Inspection report			
/C		Tag			
/D		Oil-filling type (Please refer to F-L catalog)			
/E		Peak hold pointer			
/F		Chrome-plated thread			
/G		Epoxy coating			
/H		Customized dial face (scale, colors, etc.)			
/I		Internal stop pin (Over-pressure protection)			
/J		Indicators (Red, green, yellow) <Back mount only>			
/K		Accuracy ± 1.6%			
F-SC	BDC	UNF	R22/R404A/R134a	304	Order example: F-SC-BDC-UNF-R22/R404A/R134a-304