

Main specifications	Other Specifications
<p>▼Dimension</p> <p>FRL 3000: 181 x 156.5 mm</p> <p>FRL 4000: 238 x 191.5 mm</p> <p>FRL 5000: 300 x 267 mm</p> <p>▼Pipe joint bore</p> <p>FRL 3000: 1/4" , 3/8"</p> <p>FRL 4000: 3/8" , 1/2" , 3/4"</p> <p>FRL 5000: 3/4" , 1"</p> <p>Specification: G, PT, NPT</p> <p>▼Gauge connection</p> <p>FRL 3000: 1/8" NPT</p> <p>FRL 4000: 1/4" NPT</p> <p>FRL 5000: 1/4" NPT</p> <p>▼Adjustable Pressure Range</p> <p>0.05 to 0.85MPa</p> <p>▼Max Adjustable Pressure</p> <p>1.0Mpa</p> <p>▼Operating temperature</p> <p>5 to 60°C</p> <p>▼Recommended oil use</p> <p>ISO VG 32</p>	<p>▼Body material</p> <p>Aluminum die casting / Stainless steel</p> <p>▼Container material</p> <p>Polycarbonate</p> <p>▼Rated flow</p> <p>FRL 3000 – 1700 L/min</p> <p>FRL 4000 – 3000 L/min</p> <p>FRL 5000 – 4500 L/min</p> <p>▼Filtering element roughness</p> <p>25u</p> <p>▼Max operating pressure</p> <p>1.0MPa</p> <p>▼Ensured pressure resistance</p> <p>1.5MPa</p> <p>▼Drain function</p> <p>Differential drain / Automatic drain</p> <p>▼Valve</p> <p>With overflow function</p>

Filter + Regulator + Lubricator Combination Units

Model: FRL 3000/4000/5000

Introduction

FRL combined with pneumatic particulate / moisture separation gas line filters, adjustable pressure regulators and lubricator. It has widely applied in pneumatic gas line filtering, regulation, and lubricating with all-in-one single convenient unit.



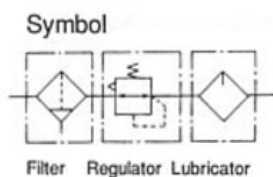
FRL 3000/4000



FRL 5000

Features

- Filter, Regulator and Lubricator combined design
- With overflow function
- Differential drain and automatic drain
- Attached with a mounting bracket
- Regulators come with a pressure gauge and protective cover
- Outsourcing parts were selected and tested very strictly to ensure its quality



Due to the variety of customization, the picture is only for reference, please confirm the actual item with our sales. (If there is any change on specification, please take the latest version as standard.)

How to order

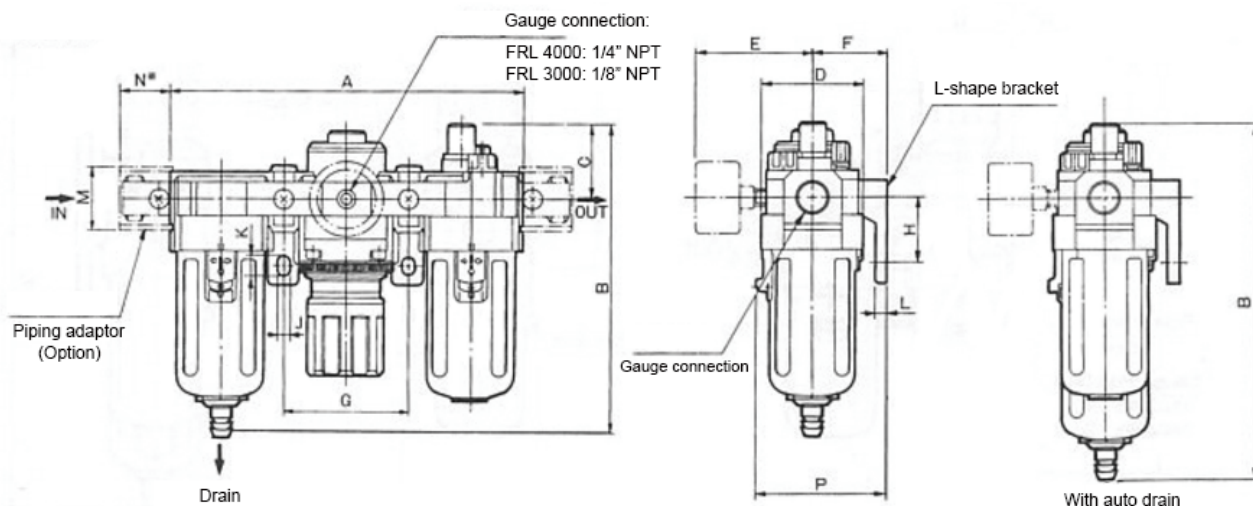
Model	Type	Code	Pipe joint bore size	Pipe joint bore spec.	Code	Body material	Code	Drain Type
FRL	3000	2:	1/4"	G	A:	Aluminum	DD:	Differential Drain
	4000	3:	3/8"	PT	SS:	Stainless steel	AD:	Automatic Drain
	5000	4:	1/2"	NPT				
		6:	3/4"					
		10:	1"					

Order Example: FRL - 3000 - 2 - PT - A - AD

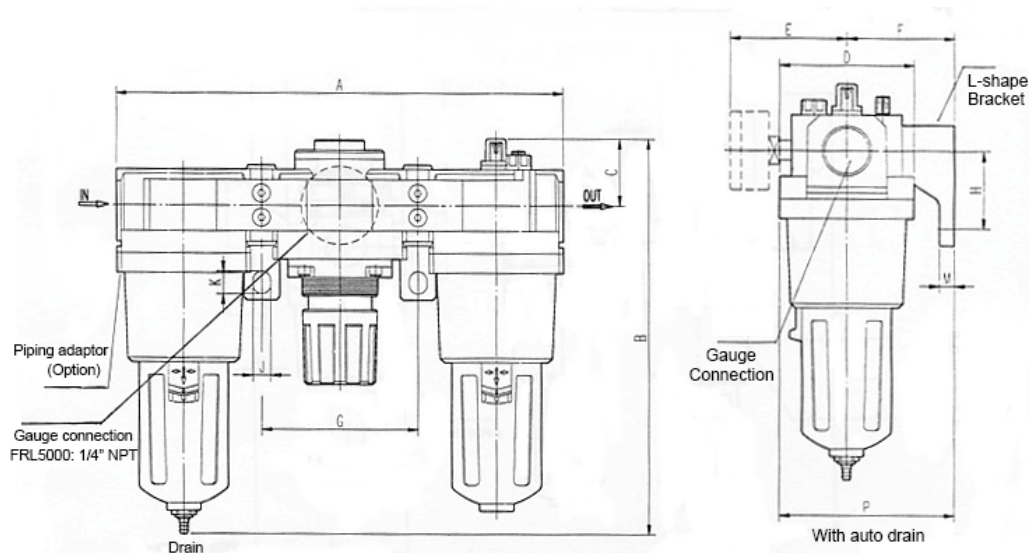
Other Requests:

- Third party notarized documents
- Inspection report (issued by Re-Atlantis)
- Tag

Dimension



FRL 3000/4000



FRL 5000

Model	Pipe joint bore	A	B	C	D	E	F	G	H	I	J	K	L	M	N	P	B (with auto drain)
FRL 3000	1/4", 3/8"	181	156.5	38	53	60.8	41	64	34	x	7	11	7	34.2	36*	70.5	182
FRL 4000	3/8", 1/2", 3/4"	238	191.5	41	70	65.5	50	84	50	x	9	13	7	42.2	33*	88	217
FRL 5000	3/4", 1"	300	267	45	90	75	70	105	50	x	12	15.5	-	50.2	-	100	297

Unit: mm