

## Main Specifications

▼ **Pressure connection**  
M20\*1.5 male thread  
Diameter: Ø3mm  
Material: SS304 / SS316  
Other thread specifications are available upon request

▼ **Pressure type**  
Gauge pressure  
Absolute pressure

▼ **Measurement range**  
0...0.3~200mH<sub>2</sub>O

▼ **Applicable fluid**  
Liquid and gas that compatible with pressure connection

▼ **Operating temperature**  
-20 to 75°C

▼ **Anti-interference level**  
Standard type /  
Lightening surge protection type (Option)

▼ **Protection level**  
IP 68 (Probe)  
IP 65 (Terminal box)

▼ **Explosion-proof level (Option)**  
Exia II CT4

▼ **Flameproof level (Option)**  
Exd II BT5

## Other Specifications

▼ **Case**  
Aluminum alloy

▼ **Body**  
Stainless steel / Teflon

▼ **Coating**  
Plastic coating

▼ **Output signal**  
4-20mA / 0-10mA (2-wire)  
0-5V / 1-5V (3-wire)

▼ **Measuring elements**  
Diffused silicon\* diaphragm (Standard / Anti-corrosive)

▼ **Temperature compensation**  
-10 to 70°C

▼ **Power supply**  
24VDC

▼ **Operating voltage**  
15-36VDC

▼ **Stability**  
0.5%/year (Standard)  
<0.2%/year (Option)

▼ **Temp. drift**  
±0.02%F.S. (Standard)  
±0.01%F.S. / ±0.005%F.S. (Option)

▼ **Accuracy**  
±0.1% / ±0.2% / ±0.5% F.S.

## Level Pressure Transmitter

### Model: LPT-187

### Introduction

LPT-187 level pressure transmitter adopts high performance diffused silicon diaphragm as the measuring element, with anti-interference, temperature compensation technology, and low temperature drift. It is suitable to put into media including gas, liquid, steam pressure and even various corrosive media for long-term use. Applications in areas of petroleum, chemistry, metallurgy, electricity, light industry, and machinery, etc.



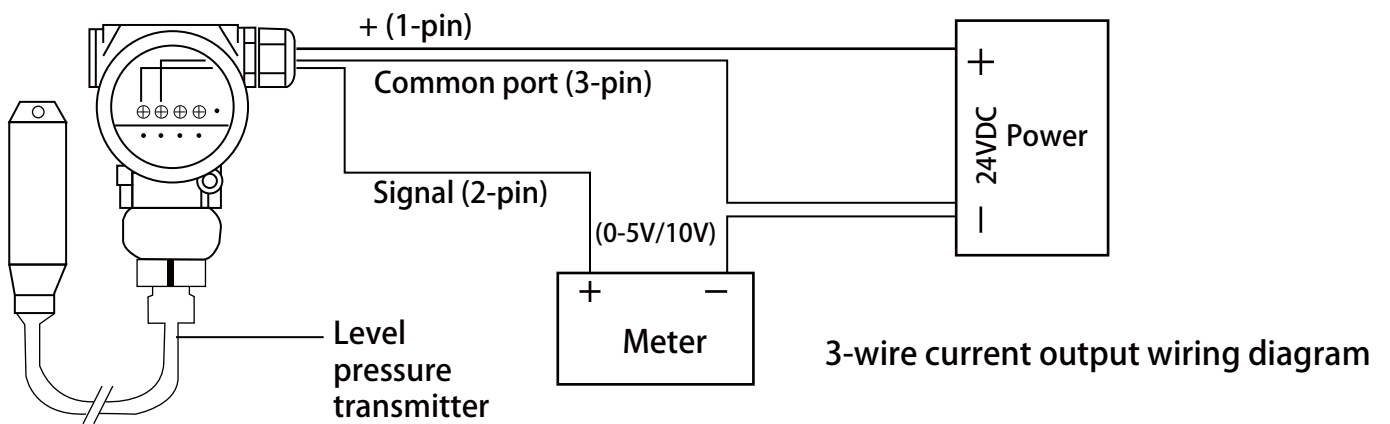
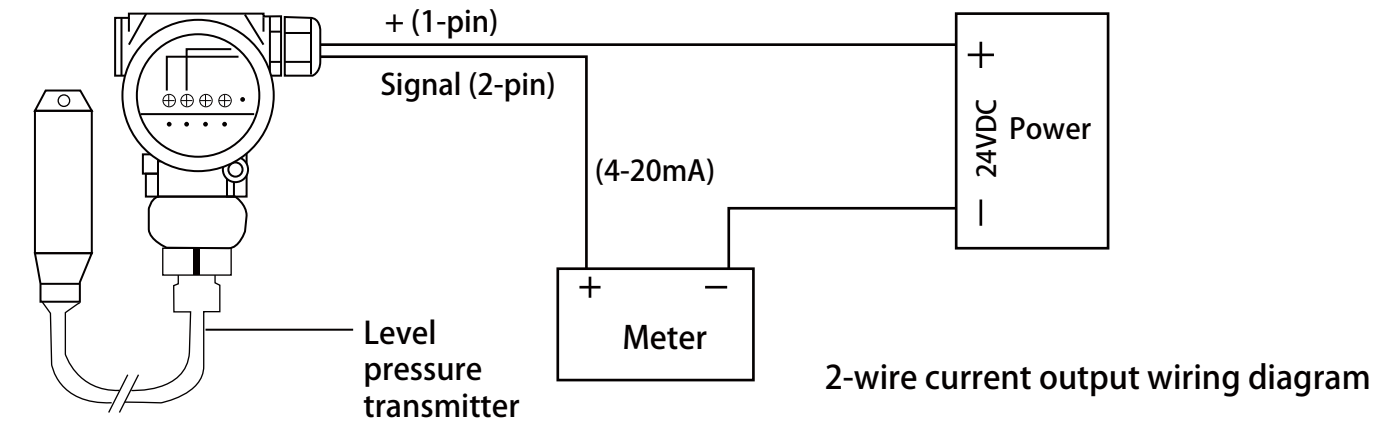
Due to the variety of customization, the picture is only for reference, please confirm the actual item with our sales. (If there is any change on specification, please take the latest version as standard.)

\*Diffused silicon= piezoresistive silicon

## Features

- OEM service
- High accuracy ( $\pm 0.1\%$ ) and stability ( $< 0.2\%$ /year)
- Applicable to various media and industry fields as mentioned
- Explosion-proof level (Option): Exia II CT4
- Flameproof level (Option): Exd II BT5

## Wiring diagram



## How to order

LPT-187		Level Pressure Transmitter						
Code	Pressure connection							
M	M20*1.5 male thread							
O	Others							
Code	Pressure connection material							
304	SS304							
316	SS316							
Code	Measurement range							
Custom	0...0.3~200mH <sub>2</sub> O							
Code	Body material							
SS	Stainless steel							
T	Teflon							
Code	Output signal							
A1	4-20mA (2-wire)							
A2	0-10mA (2-wire)							
V1	0-5V (3-wire)							
V2	1-5V (3-wire)							
Code	Measuring elements							
Std	Diffused silicon diaphragm (Standard type)							
AC	Diffused silicon diaphragm (anti-corrosive type)							
Code	Accuracy							
01	±0.1% F.S.							
02	±0.2% F.S.							
05	±0.5% F.S.							
Code	Other request							
/A	Third party notarized documents							
/B	Inspection report							
/C	Tag							
/D	Anti-interference level: Lightning surge protection type							
/E	Thread connection: Flange* <sup>1</sup>							
/F	LCD digital full scale display							
/G	LCD digital (0~100%) display							
/H	LED digital (0~100%) display							
/I	Stability: <0.2%/year							
/J	Low temp. drift: ±0.01%F.S.							
/K	Low temp. drift: ±0.005%F.S.							
/L	Explosion-proof level: Exia II CT4							
/M	Flameproof level: Exd II BT5							
/N	Installation size* <sup>2</sup>							
LPT-187	M	304	0...0.3~200mH <sub>2</sub> O	SS	A1	Std	01	Order example: LPT-187-M-304-(0...0.3~200mH <sub>2</sub> O)- SS-A1-Std-01

\*1: Please specify flange specification when placing orders.

\*2: Please specify installation size and the density of media.