

Main Specifications

- ▼ **Size**
8" , 10" , 12"
- ▼ **Installation type**
Bottom mount (A) /
Bottom mount with flange (B)
- ▼ **Window**
PC
(Option: Tempered glass)
PE gasket
- ▼ **Pressure connection**
Material: copper alloy
Unsealed connection
Size: 3/8" , 1/2" , 3/4"
Type: BSPT, NPT, PF
- ▼ **Pressure range**
Gauge pressure ▼
0...0.6 to 1000 bar
Negative pressure ▼
-1...0bar
Compound pressure ▼
-1...0 to 20bar
- ▼ **Applicable fluid**
Liquid and gas that compatible
with copper alloy
- ▼ **Ambient temperature**
-40°C to +60°C
- ▼ **Fluid temperature**
+60°C
- ▼ **Temperature error**
Every ±12 °C
max. error: ±0.3% F.S
- ▼ **Protection level**
IP54

Other Specifications

- ▼ **Ring**
Steel with black enamel
- ▼ **Ring mount**
Screw fixed
- ▼ **Case**
Steel with black enamel
- ▼ **Pointer**
Aluminum with black enamel
- ▼ **Dial face**
Blue & black scale
Special large dial face
Pressure unit, scale, color can
be customized upon request
- ▼ **Measuring elements**
Bourdon tube
Material: copper alloy / SS304
<400bar: copper alloy
≥400bar: SS304
- ▼ **Movement**
Copper alloy
- ▼ **Accuracy**
±2.5%F.S.(standard)
±1.6%F.S. (option)
- ▼ **Operating pressure**
Stabilization: 3/4* full scale
Fluctuation: 2/3* full scale
Impulse: 1* full scale

**Black Steel Case
Large Size Pressure Gauge
Model: LS-EPG
Introduction**

LS series pressure gauge features large dial face with clear readings, which is suitable for large apparatuses that require remote reading.



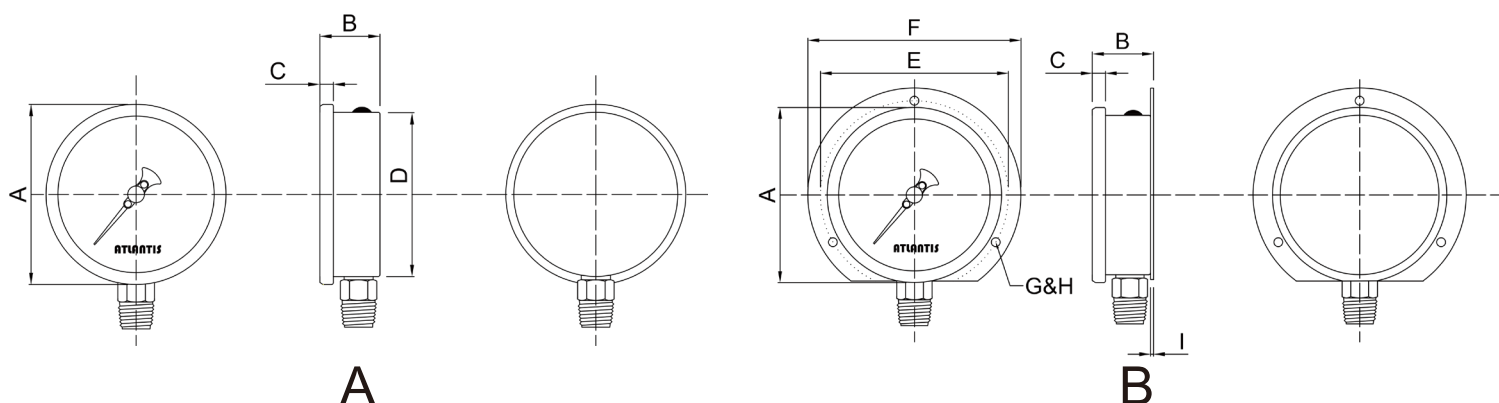
Due to the variety of customization, the picture is only for reference, please confirm the actual item with our sales. (If there is any change on specification, please take the latest version as standard.)



Features

- OEM service
- 8" ~12" large size pressure gauge
- Large size dial face increases legibility
- Specially design for apparatuses need remote reading

Installation type



How to order

LS-EPG Large Size Black Steel Case Pressure Gauge												
Std.	Spec.	Code	Item	Code	Item	Code	Item	Code	Item	Code	Item	
10	Size	08	8"	10	10"	12	12"	-	-	-	-	
A	Installation type	A	Bottom mount	B	Bottom mount with flange	-	-	-	-	-	-	
C	Connection material	C	Copper alloy	O	Others	-	-	-	-	-	-	
C	Bourdon tube material	C	Copper alloy	304	SS304	O	Others	-	-	-	-	
4	Thread size	3	3/8"	4	1/2"	6	3/4"	-	-	-	-	
N	Thread spec.	P	BSPT	N	NPT	F	PF	O	Others	-	-	
Custom	Pressure range	Gauge pressure – (0...0.6 to 1000bar) Negative pressure – (-1...0bar) Compound pressure – (-1...0...0.6 to 20bar) Pressure unit (psi, bar, kPa, kg/cm ² , MPa, inHg, mmHg, cmHg, etc...) & single / dual scale can be customized upon request.										
A	Accuracy	A	±2.5%F.S.	B	±1.6%F.S.	-	-	-	-	-	-	
/B	Other requests	/A	Third party notarized document				/B	Inspection report				
		/C	Tag				/D	Customized dial face (scale, color, unit, etc.)				
		/E	Dampened movement				/F	Internal stop pin for overpressure protection				
		/G	Window - tempered glass				/H	Epoxy coating				
		/I	Ring - chrome plating				/J	Thread - chrome plating				
		/K	Case - chrome plating				-	-				

Order example: LS-EPG - 10 - A - C - C - 4 - N - (0...10bar) - A - /B