

Main Specifications

▼ **Size**
4" , 6"

▼ **Installation type**
Bottom mount (A) /
Bottom mount with front
flange (BF) /
Bottom mount with back
flange (BB)

▼ **Window**
PC (Standard)
Option: Acrylic / Safety glass

▼ **Pressure connection**
Material: SS304
Welded connection
Dual Bourdon tubes
front / rear connection
Thread size: 1/2"
Thread type: PT / NPT / PF

▼ **Thread hole pitch (Calculate from the center of the thread)**
32mm (Standard)
23 / 26.5 / 35 / 37mm (Option)

▼ **Differential pressure range**
0...1 to 60 bar

▼ **Applicable fluid**
Liquid and gas that compatible
with SS304

▼ **Ambient temperature**
-40°C to +60°C

▼ **Fluid temperature**
+100°C

▼ **Temperature drift**
Standard: 20°C
Every ±8°C
max. error ±0.5% F.S

▼ **Protection level**
IP54

Other Specifications

▼ **Ring**
Stainless steel

▼ **Ring mount**
Screw fixed

▼ **Case**
SS 304

▼ **Pointer**
Standard pointer ▼
Aluminum with black enamel
Dial pointer ▼
±50% indicates the positive
and negative value of different
pressure

▼ **Dial face**
Red and black scale

▼ **Measuring elements**
Dual bourdon tubes
Material: SS304

▼ **Movement**
Copper alloy

▼ **Accuracy**
2.5% (Standard) /
1.6% (Option)

▼ **Maximum static pressure**
1* full scale

▼ **Operation pressure**
Standard: 0.9* full scale
Fluctuation: 0.8* full scale

All Stainless Steel Differential Pressure Gauge (Double Bourdon Tubes Type) Model: MDB



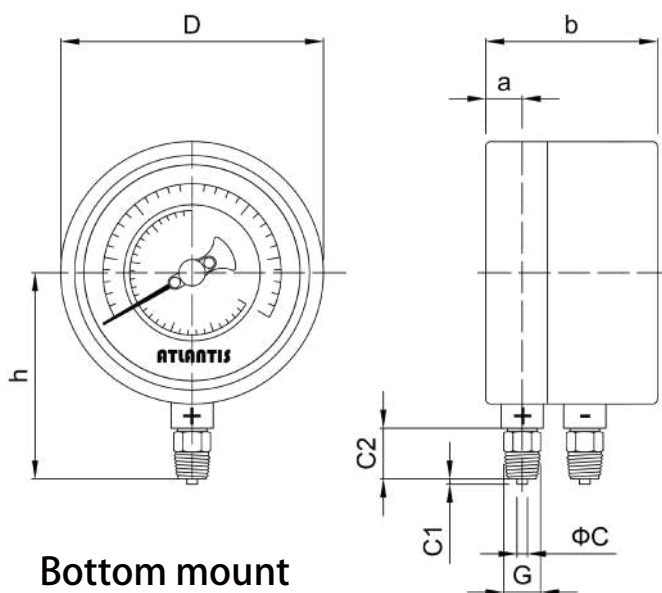
Due to the variety of customization, the picture is only for reference, please confirm the actual item with our sales. (If there is any change on specification, please take the latest version as standard.)

Feature

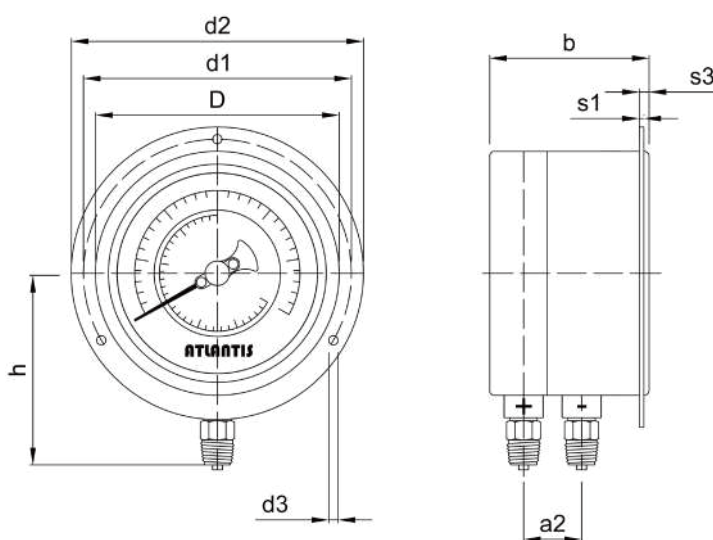
- OEM service
- Dual Bourdon tubes front / rear measurement
- Welded connection
- All stainless steel design
- Long service life
- Max. Accuracy 1.6%



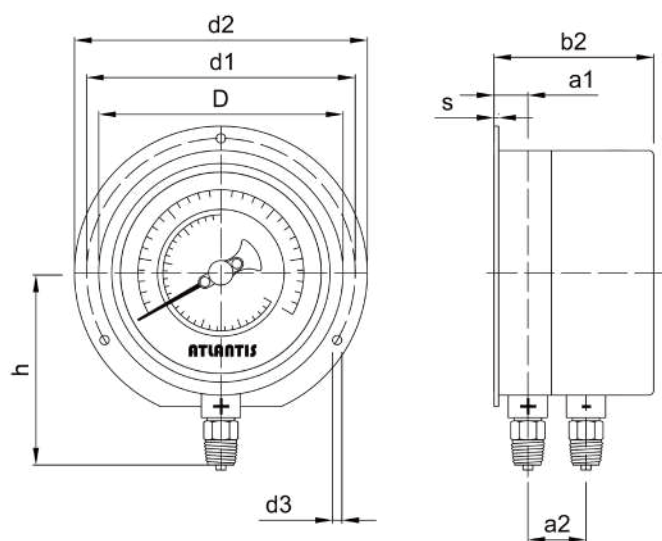
Dimensions



Bottom mount



Bottom mount with front flange



Bottom mount with back flange

How to order

MDB All Stainless Steel Differential Pressure Gauge (Dual Bourdon Tubes Type)												
Std.	Spec.	Code	Item	Code	Item	Code	Item	Code	Item	Code	Item	
04	Size	04	4	06	6"	–	–	–	–	–	–	
A	Installation type	A	Bottom mount	BF	Bottom mount with front flange	BB	Bottom mount with back flange	–	–	–	–	
304	Pressure connection material	304	SS304	316	SS316	316L	SS316L	O	Others	–	–	
304	Bourdon tube material	304	SS304	316	SS316	316L	SS316L	O	Others	–	–	
4	Thread size	4	1/2"	O	Others	–	–	–	–	–	–	
N	Thread tyoe	P	BSP	N	NPT	F	PF	O	Other	–	–	
32	Thread hole pitch	23	23mm	265	26.5mm	32	32mm	35	35mm	37	37mm	
G	Pressure type	G	Gauge pressure	V	Negative pressure	C	Compound pressure	–	–	–	–	
B	Accuracy	A	1.6%	B	2.5%	–	–	–	–	–	–	
Custom	Differential pressure range	0...1 to 60 bar Pressure unit on dial face scale: kg/cm2, bar, psi, Pa, kPa, MPa, atm (Special unit and single/dual scale can be customized upon request)										
/D	Other requests	/A	Third party notarize documents				/B	Inspection report				
		/C	Tag				/D	Customized dial face (scale, colors, unit, etc.)				
		/E	Case material SS316				/F	Peak hold pointer				
		/G	Install a diaphragm seal				/H	Epoxy coating				
		/I	Internal stop pin (Over-pressure protection)				/J	Anti-splash (Window and ring sealed with O-ring)				
		/K	Blow-out back				/L	Install a throttle screw at the bottom				
		/M	Dampened movement (Applicable to non-oil-filled working environment)				/N	Dial face for negative differential pressure				

Order example: MDB - 04 - A - 304 - 304 - 4 - N - 32 - G - B - (0...1 to 10bar) + /D