

## Main Specifications

### ▼ Valve type

GT1 type (soft / hard sealing) /  
GT2 type / GT3 type / GT4 type

### ▼ Inlet hole connection

Type: Female thread

Spec.: NPT, G, BSPT, M

For details please refer to each  
valve type table in following  
pages

### ▼ Outlet hole connection

Type: Male / Female thread

Spec.: NPT, G, BSPT, M

For details please refer to each  
valve type table in following  
pages

### ▼ Port direction

Horizontal / Straight

### ▼ Sealing material

DELFIN (Soft sealing)

Graphite (Hard sealing)

PTFE (Hard sealing)

### ▼ Max. operating pressure

30 kg/cm<sup>2</sup>

### ▼ Max. media temperature

500°C

## Needle Valve (General Type)

### Model: NV-GT Series

### Introduction

NV-GT series needle valve adopts integrated design, suitable for sewage treatment, petrochemical industry, level pressure equipment, and liquid equipment.



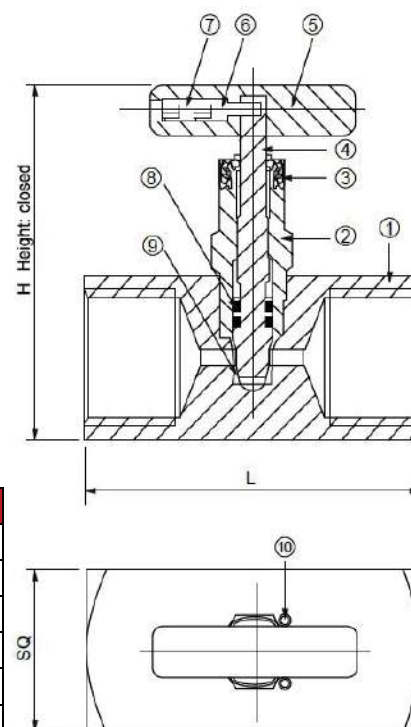
Due to the variety of customization, the picture is only for reference, please confirm the actual item with our sales. (If there is any change on specification, please take the latest version as standard.)

## Features

- OEM service
- Various valve types and thread specs. for selections
- Max. operating pressure: 30kg/cm<sup>2</sup>
- Max. media temperature: 500°C
- Size of connection between 1/4" ~1"

### GT1 Valve Type table (Soft sealing)

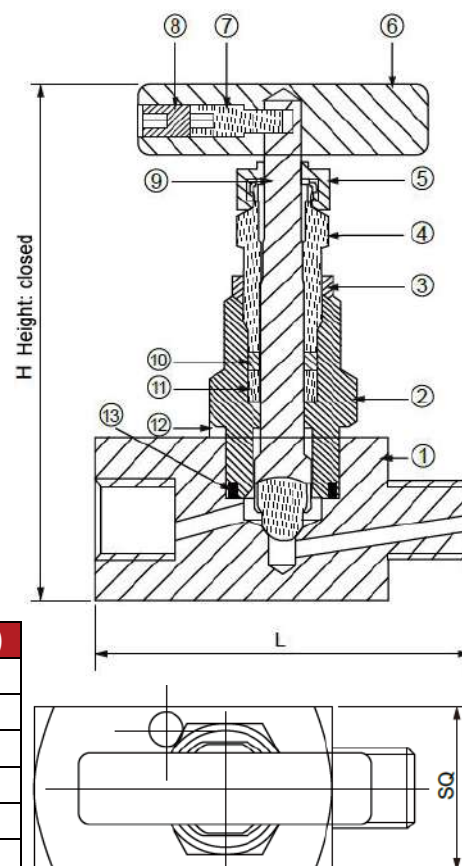
Code	Name	Material
1	Valve body	SS316
2	Valve seat	SS316
3	Protection cap	Nylon
4	Valve stem & valve needle	SS316
5	Handle	SS304
6	Top lock screw	SS304
7	Lock screw	SS304
8	O-ring	FKM
9	Soft sealing part	DELRIN
10	Lock pointer	SS304



Code	Inlet hole	Outlet hole	L (mm)	H (mm)	SQ (mm)
T1S1	1/4"	1/4"	65	80.5	28
T1S2	3/8"	3/8"	65	80.5	28
T1S3	1/2"	1/2"	70	80.5	28
T1S4	3/4"	1/2"	72	80.5	28
T1S5	3/4"	3/4"	72	84.5	32
T1S6	1"	1"	82	86.5	40

### GT1 Valve Type table (Hard sealing)

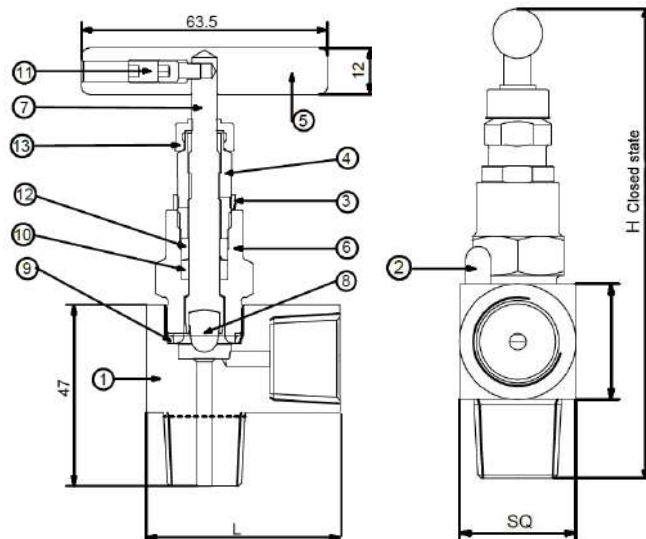
Code	Name	Material
1	Valve body	SS316
2	Valve seat	SS316
3	Lock nut	SS304
4	Insert	SS316
5	Protection cap	Nylon
6	Handle	SS304
7	Top lock screw	SS304
8	Lock screw	SS304
9	Valve stem & valve needle	SS316
10	Isolation ring	SS304
11	Sealing gasket	PTFE / Graphite
12	Lock pointer	SS304
13	Sealing gasket	PTFE / Graphite



Code	Inlet hole	Outlet hole	L (mm)	H (mm)	SQ (mm)
T1H1	1/4"	1/4"	65	89	28
T1H2	3/8"	3/8"	65	89	28
T1H3	1/2"	1/2"	70	89	28
T1H4	3/4"	1/2"	72	89	28
T1H5	3/4"	3/4"	72	93	32
T1H6	1"	1"	82	101	40

### GT2 Valve Type table

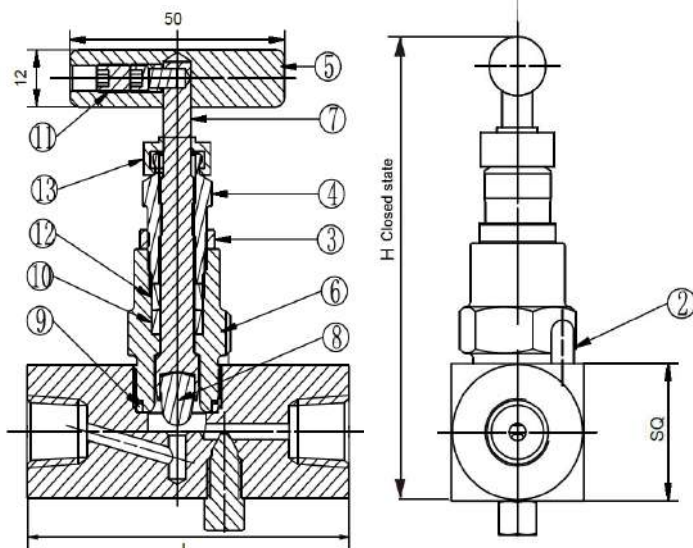
Code	Name	Material
1	Valve body	SS316
2	Lock pointer	SS316
3	Lock nut	SS304
4	Insert	SS316
5	Handle	SS304
6	Valve seat	SS316
7	Valve stem	SS316
8	Ball head	SS316
9	Sealing gasket	PTFE / Graphite
10	Sealing gasket	PTFE / Graphite
11	Top lock screw	SS304
12	Isolation ring	SS304
13	Protection cap	Nylon



Code	Inlet hole	Outlet hole	L (mm)	H (mm)	SQ (mm)
T21	1/4"	1/4"	102	45	28
T22	3/8"	3/8"	102	45	28
T23	1/2"	1/2"	108	50	28
T24	3/4"	1/2"	108	50	28
T25	3/4"	3/4"	108	50	32
T26	1"	1"	123	123	40

### GT3 Valve Type table

Code	Name	Material
1	Valve body	SS316
2	Lock pointer	SS316
3	Lock nut	SS304
4	Insert	SS316
5	Handle	SS304
6	Valve seat	SS316
7	Valve stem	SS316
8	Ball head	SS316
9	Sealing gasket	PTFE / Graphite
10	Sealing gasket	PTFE / Graphite
11	Top lock screw	SS304
12	Isolation ring	SS304
13	Protection cap	Nylon

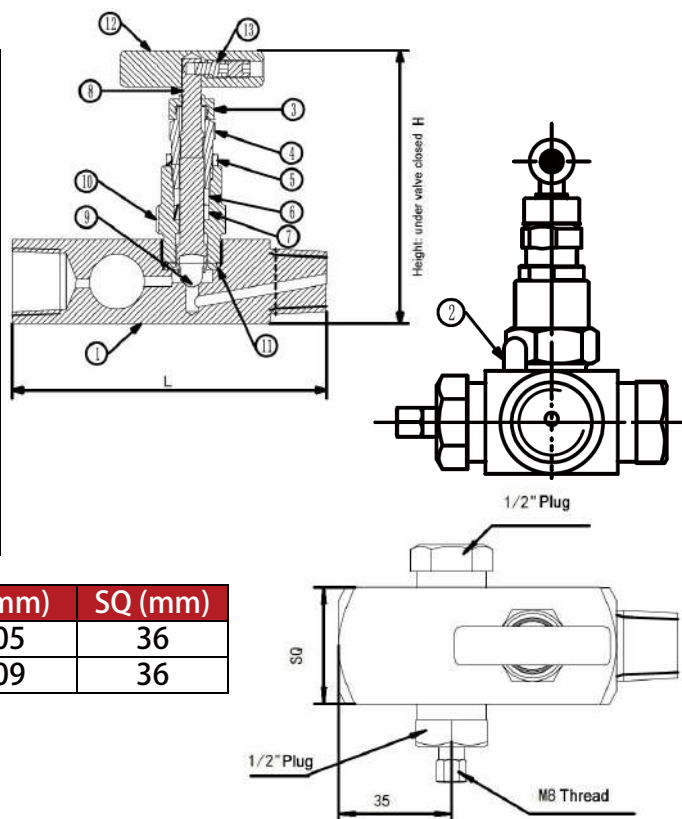


Code	Inlet hole	Outlet hole	L (mm)	H (mm)	SQ (mm)
T31	1/4"	1/4"	83	95	28
T32	3/8"	3/8"	83	95	28
T33	1/2"	1/2"	83	95	28
T34	3/4"	1/2"	83	95	28
T35	3/4"	3/4"	93	109	32
T36	1"	1"	93	117	40

### GT4 Valve Type table

Code	Name	Material
1	Valve body	SS316
2	Lock pointer	SS316
3	Protection cap	Nylon
4	Insert	SS316
5	Lock nut	SS304
6	Isolation ring	SS304
7	Sealing gasket	PTFE / Graphite
8	Valve stem	SS316
9	Ball head	SS316
10	Valve seat	SS316
11	Sealing gasket	PTFE / Graphite
12	Handle	SS304
13	Top lock screw	SS304

Code	Inlet hole	Outlet hole	L (mm)	H (mm)	SQ (mm)
T41	1/2"	1/2"	82.5	105	36
T42	3/4"	1/2"	82.5	109	36



### How to Order

NV-GT		Needle Valve (General Type)					
	Code	Valve type					
	T1S	GT1 type (soft sealing)					
	T1H	GT1 type (hard sealing)					
	T2	GT2 type					
	T3	GT3 type					
	T4	GT4 type					
	Code	Inlet & hole connection size					
	T1S1	Please refer to each valve size table and select corresponding code					
	Code	Inlet & outlet hole connection specifications					
	NPT	NPT					
	G	G					
	PT	BSPT					
	M	M					
	Code	Outlet hole connection type					
	M	Male					
	F	Female					
	Code	Port direction					
	H	Horizontal					
	S	Straight					
	Code	Sealing material					
	D	DELFIN (Soft sealing)					
	G	Graphite (Hard sealing)					
	P	PTFE (Hard sealing)					
NV-GT	T1S	T1S1	NPT	M	H	D	Order example: NV-GT-T1S-T1S1-NPT-M-H-D