

Main Specifications

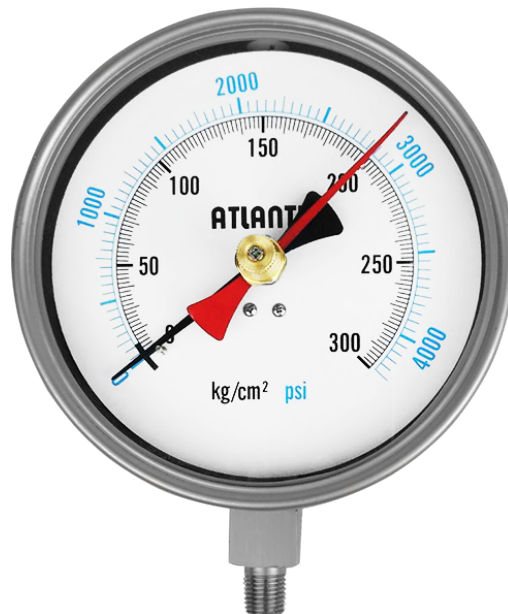
- ▼ **Size**
2.5" 4"
- ▼ **Installation type**
Bottom mount (A) /
Bottom mount with flange (B) /
Back mount (centric thread)
(ADC) /
Back mount with flange
(centric thread) (BDC) /
Back flange with flange
(eccentric thread) (BDE)
- ▼ **Window**
PC / Glass
O-ring sealed / PE gasket
- ▼ **Process connection**
Material:
Copper / Stainless steel
Thread size: 1/8" , 1/4" ,
3/8" , 1/2"
Thread spec.: BSPT / NPT / PF
- ▼ **Pressure range**
Gauge pressure ▼
0...1 to 1000 bar
Negative pressure ▼
-1...0 bar
Compound pressure ▼
-1...1 to 20 bar
- ▼ **Ambient temperature**
-20°C to +60°C
- ▼ **Fluid temperature**
+60°C (Copper alloy type)
+100°C (Stainless steel type)
- ▼ **Protection level**
IP54 for dry type (Standard) /
IP65 for liquid-filled type
(Option)

Other Specifications

- ▼ **Ring**
Stainless steel
- ▼ **Pointer**
Aluminum with black enamel
- ▼ **Peak hold pointer**
Aluminum with black enamel /
Red plastic
- ▼ **Measuring elements**
Bourdon tube
Material:
Copper / Stainless steel
- ▼ **Accuracy**
Standard: ±1.6%F.S.
Option: ±1.0%F.S.

Pressure Gauge with Peak Hold Pointer
Model: PHPG
Introduction

Peak hold pointer can indicate the peak pressure value, ensuring the safety management in field operation.

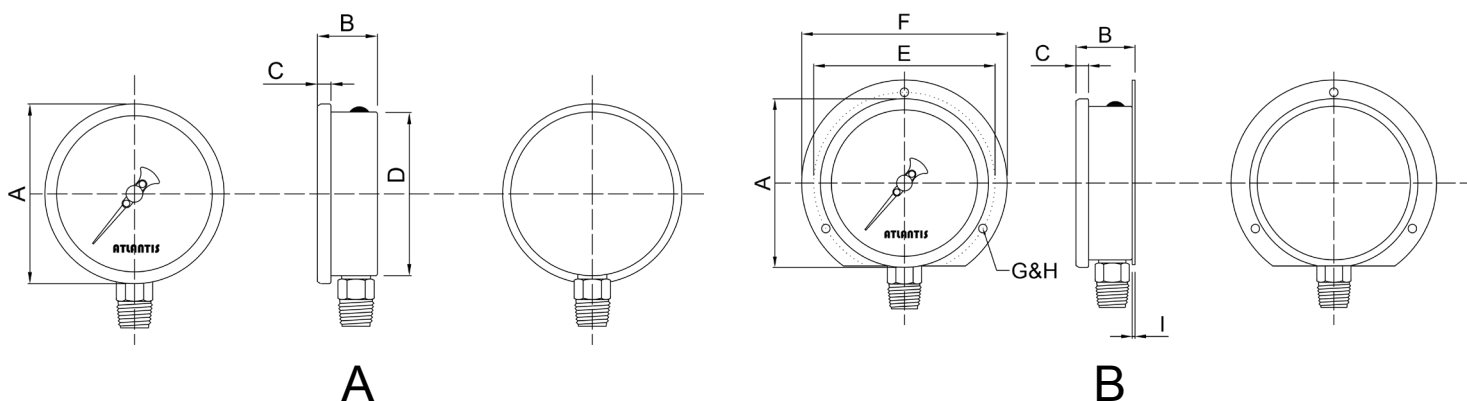


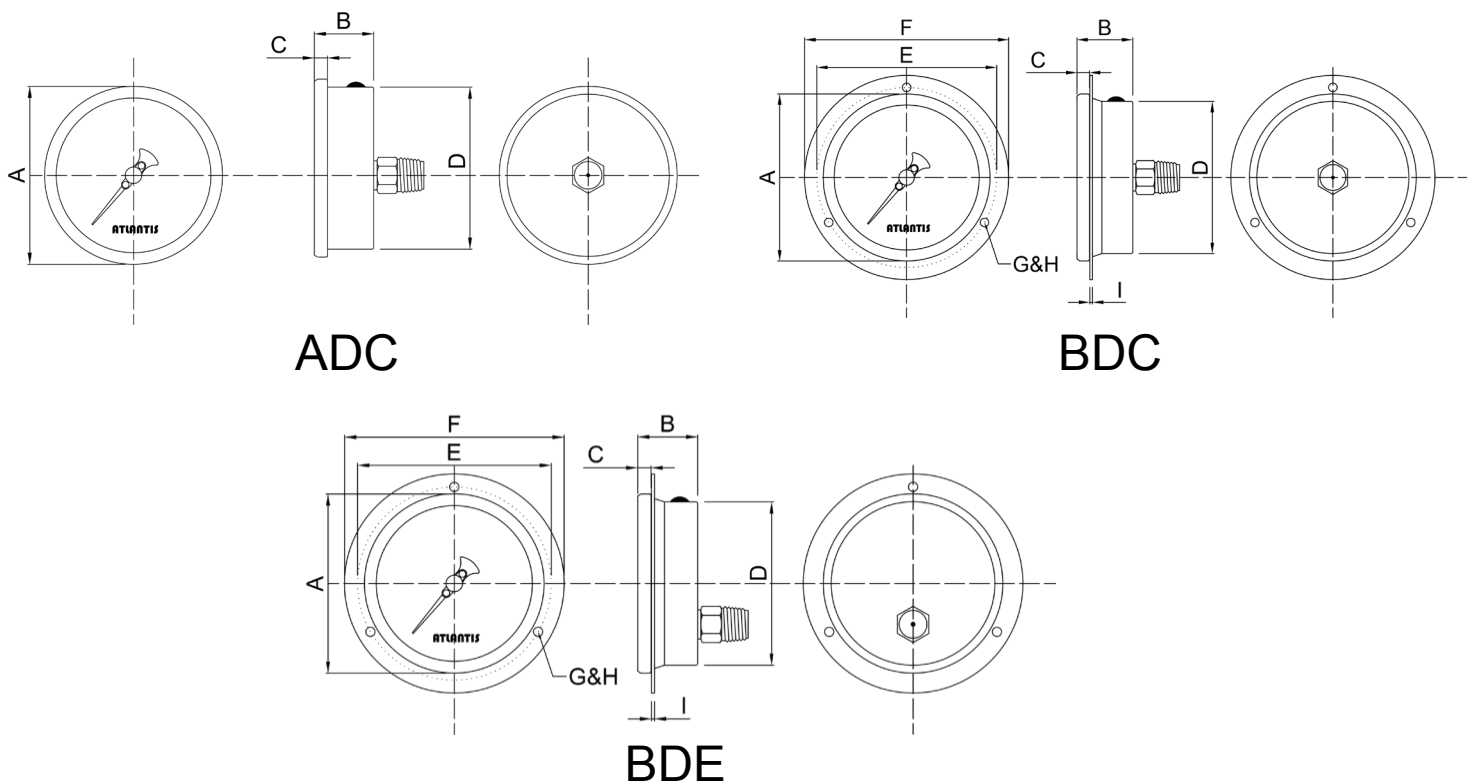
Due to the variety of customization, the picture is only for reference, please confirm the actual item with our sales. (If there is any change on specification, please take the latest version as standard.)

Features

- Record peak pressure value
- IP54 for dry type (Standard) / IP65 for liquid-filled type (Option)

Installation type





How to order

PHPG Pressure Gauge with Peak Hold Pointer									
Std.	Spec.	Code	Item	Code	Item	Code	Item	Code	Item
04	Size	025	2.5"	04	4"	-	-	-	-
A	Type	A	Bottom mount	B	Bottom mount with back flange	ADC	Back mount (Centric thread)	BDC	Back mount with front flange (Centric thread)
		BDE	Back mount with front flange (Eccentric thread)	-	-	-	-	-	-
SS	Pressure connection material	B	Copper alloy	SS	Stainless steel	O	Others	-	-
SS	Bourdon tube	B	Copper alloy	SS	Stainless steel	O	Others	-	-
3	Thread size	1	1/8"	2	1/4"	3	3/8"	4	1/2"
P	Thread type	P	BSPT	N	NPT	F	PF	-	-
Custom	Pressure range	Gauge pressure – (0...1 to 1000 bar) Negative pressure – (-1...0 bar) Compound pressure – (-1...1 to 20 bar) Custom pressure unit scale (psi, bar, kPa, kg/cm ² , MPa, inHg, mmHg, cmHg, etc...), single / dual scale							
A	Accuracy	A	±1.6%F.S.	B	±1.0%F.S.	O	Others	-	-
O	Liquid-filling	O	Dry	L	Glycerin	S	Silicone oil	N	Oil-free treatment
/B	Other requests	/A	Third party notarized document						
		/B	Inspection report (issued by Re-Atlantis)						
		/C	Tag						

Order example: PHPG - 04 - A - SS - SS - 3 - P - (0 to 20 bar) - A - O - /B