

Main Specifications

- ▼ **Pressure gauge connection**
Size: 1/4" , 3/8" , 1/2"
Spec.: NPT, PT
Other thread spec. are available made-to-order
- ▼ **Outlet pressure range**
150 psig (10 bar)
100 psig (7 bar)
50 psig (3.5bar)
- ▼ **Max. inlet pressure**
400 psig (28 bar)
- ▼ **Operating temperature**
-10°C to 60°C
- ▼ **Accessories (Option)**
Installation rack

Other Specifications

- ▼ **Body**
SS316L
- ▼ **Measuring elements**
Diaphragm & spring
Please refer to component material table
- ▼ **Bonnet**
SS316L
- ▼ **Stem**
Copper alloy
- ▼ **Seat**
PFA
- ▼ **Poppet**
SS316L
- ▼ **Flow capacity**
400 psig / 27.6 bar
Gas inlet: Cv = 0.2
- ▼ **Max. pressure resistance**
150% of rated pressure
- ▼ **Other requests (Option)**
Third party notarized documents
Inspection report
Tag
Inlet gauge port at 90°
Outlet gauge port at 90°
Outlet gauge port at 80°

Pressure Reducing Valve Model: PRRA-LY Introduction

PRRA-LY series pressure reducing valve is suitable for regulating gas pressure. This product has been precisely calculated, measured and processed to precisely adjust the pressure and has a long service life. The sensing system also has a smooth adjustment process and high stability.

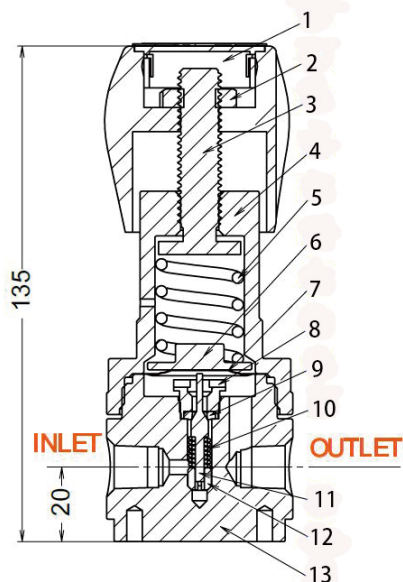


Due to the variety of customization, the picture is only for reference, please confirm the actual item with our sales. (If there is any change on specification, please take the latest version as standard.)

Features

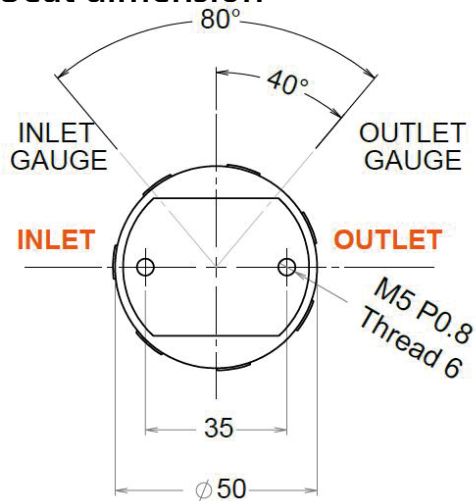
- OEM service
- Lightweight structural design, suitable for general pressure regulation requirements
- Adopts stainless steel diaphragm as pressure measuring elements, which has long service life and good sensitivity
- Adopts SS316L as body material, which is easy to maintain and good corrosion resistance
- Adjust and control pressure by spring
- Installation rack is optional for easier installation

Component – Material table

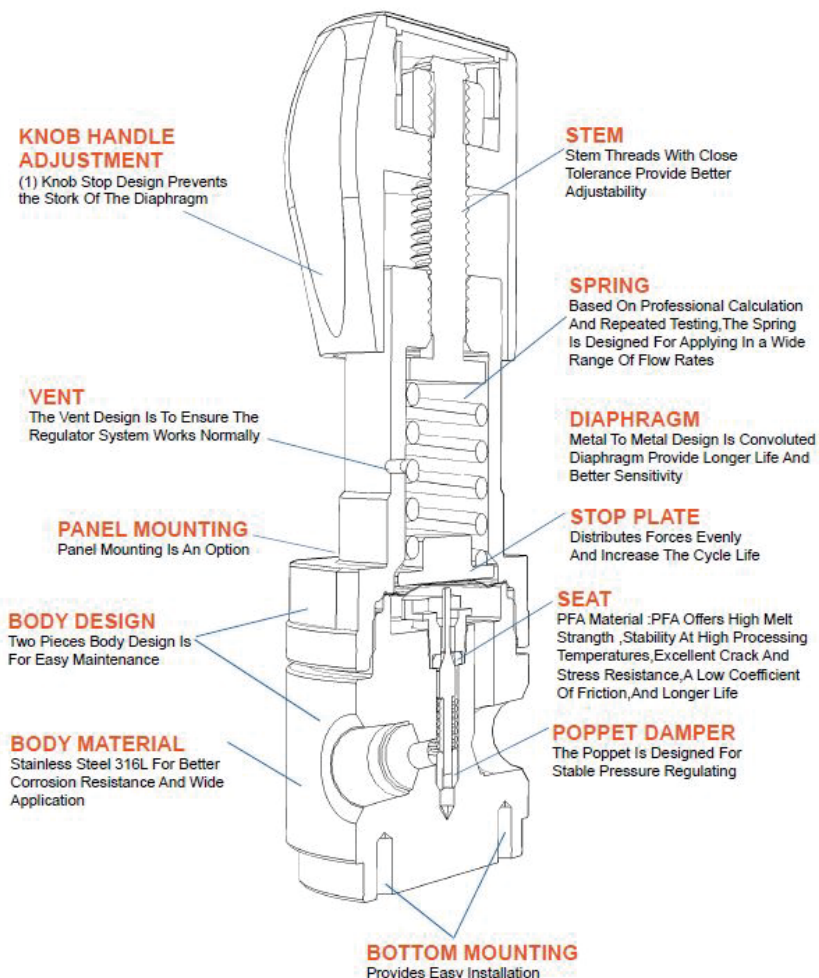


No.	Component	Material
1	Knob handle	Nylon
2	Stem nut	SS304
3	Stem	Copper alloy
4	Bonnet	SS316L
5	Range spring	SS316L
6	Stop plate	SS316L
7	Diaphragm	Stainless steel
8	Seat retainer	SS316
9	Seat	PFA
10	Spring	SS316L
11	Poppet	SS316L
12	Poppet damper	PFA
13	Body	SS316L

Seat dimension



Structure description



How to order

PRRA-LY		Pressure Reducing Valve		
	Code	Inlet / Outlet pressure gauge connection size		
	2	1/4"		
	3	3/8"		
	4	1/2"		
	Code	Inlet / Outlet pressure gauge connection spec.		
	N	NPT		
	P	PT		
	Code	Outlet pressure range		
	A	0...150 psig (10 bar)		
	B	0...100 psig (7 bar)		
	C	0...50 psig (3.5 bar)		
PRRA-LY	2	N	A	Order example: PRRA-LY-2-N-A