

Main Specifications	Other Specifications
<p>▼ Installation type D- Direct measurement type R- Remote Reading TP- Temperature and Pressure Integrated</p> <p>▼ Process connection 1/2" -20UNF M14*1.5 M18*1.5 M22 G3/4" Other thread spec. are available made-to-order</p> <p>▼ Pressure range 0...10 to 2000bar</p> <p>▼ Screw length Standard: 6 inch (152mm) Other screw length is available made-to-order</p>	<p>▼ Case material Stainless steel</p> <p>▼ Power supply 24VDC</p> <p>▼ Output signal 4-20mA, 0-5V, 0-10V</p> <p>▼ Electronic connection 6-pin / 8-pin</p> <p>▼ Thermocouple Pt100 / E type / J type / K type</p> <p>▼ Accuracy ±0.25%F.S. / ±0.5%F.S.</p> <p>▼ Load resistance 350 Ω±10%</p> <p>▼ Overload 1.5*F.S.</p> <p>▼ Repeatability ±0.2%F.S.</p> <p>▼ Max. diaphragm temp. D: 320°C R: 400°C TP: 500°C</p> <p>▼ Shunt calibration 80%±1%</p>

Melt Pressure Transmitter

Model: PT-HTM Series

Introduction

PT-HTM Series melt pressure transmitter transfer pressure into non-interference amplified signals including 4-20mA, 0-5V, 0-10V, which could be directly input to position machine.

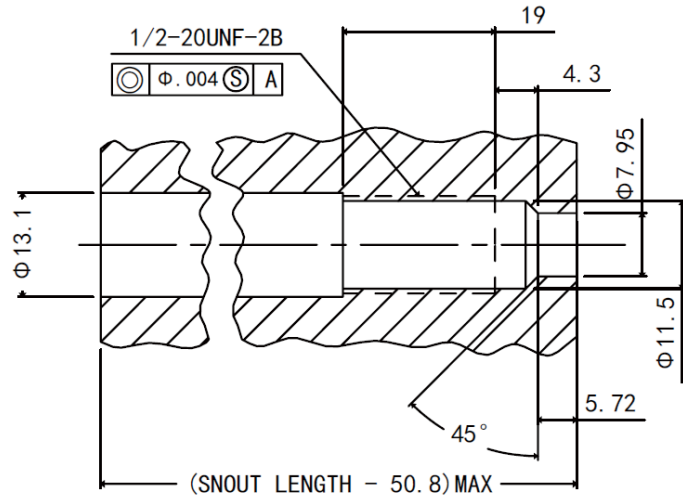


Due to the variety of customization, the picture is only for reference, please confirm the actual item with our sales. (If there is any change on specification, please take the latest version as standard.)

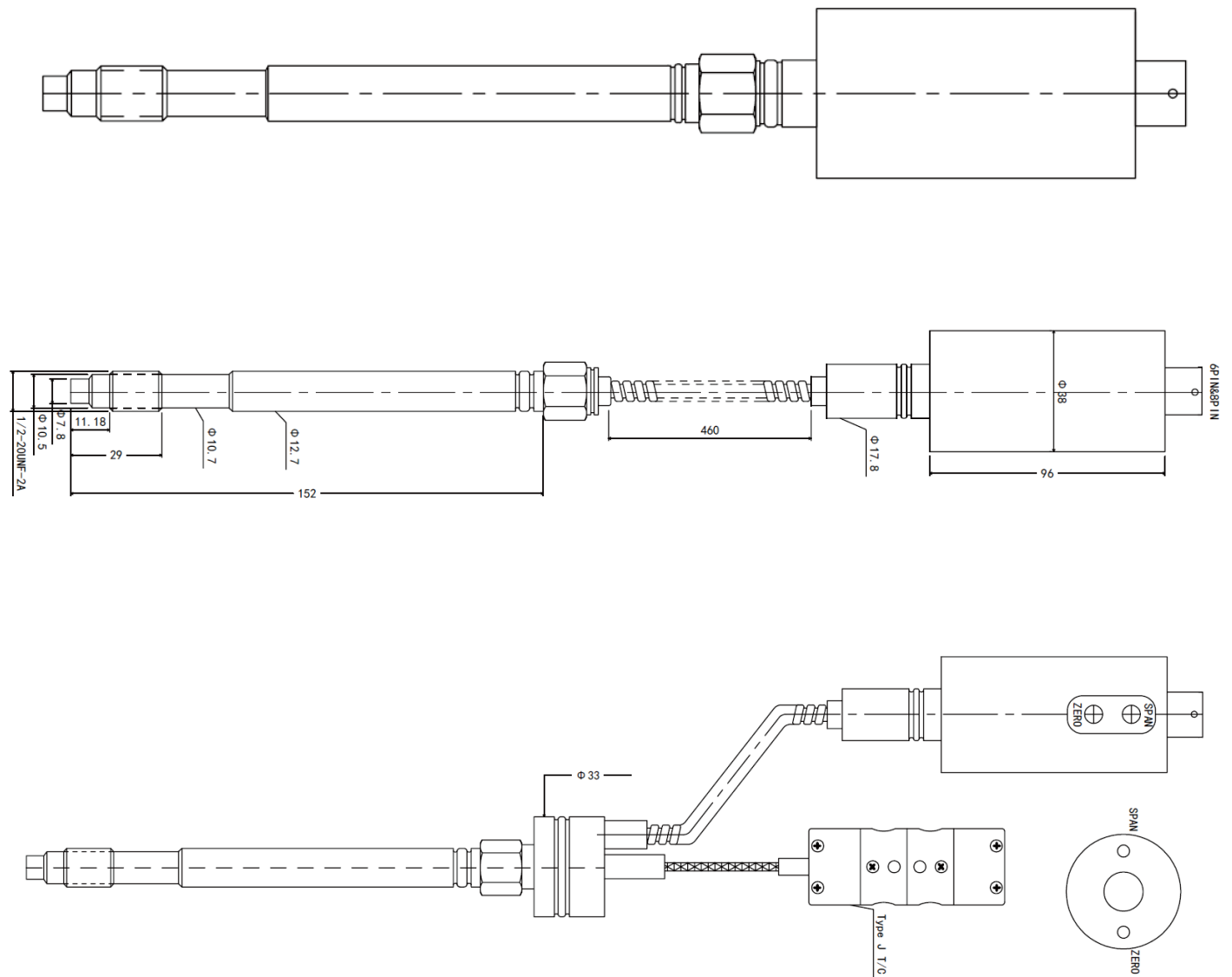
Features

- OEM service
- Wide pressure range
- Output signal: 4-20mA, 0-5V, 0-10V
- Accuracy can up to ±0.25%F.S.
- 4 types of thermocouple are available for selections
- Screw length is available made-to-order

Trepanning size

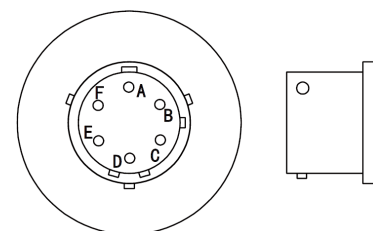


Dimension (unit: mm)



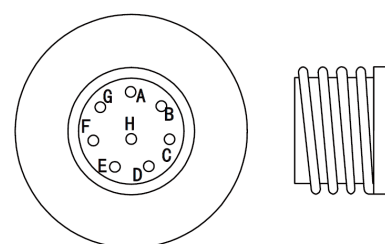
6-Pin Electronic Connection

Output	Function	6-pin	Output	Function	6-pin
3.33mV/V 0-5V 0-10V	Signal+	A	4-20mA	Power+	A
	Signal-	B		Power-	B
	Power+	C		Calibration	E
	Power-	D		Calibration	F
	Calibration	E			
	Calibration	F			



8-Pin Electronic Connection

Output	Function	8-pin	Output	Function	8-pin
3.33mV/V 0-5V 0-10V	Signal+	A	4-20mA	Power+	A
	Signal-	B		Power-	B
	Power+	C		Calibration	E
	Power-	D		Calibration	F
	Calibration	E			
	Calibration	F			



How to Order

PT-HTM Series Melt Pressure Transmitter									
Std.	Spec.	Code	Item	Code	Item	Code	Item	Code	Item
D	Installation type	D	PT-HTM-D	R	PT-HTM-R	TP	PT-HTM-TP	-	-
M14	Process connection	4U	1/2" -20UNF	M14	M14*1.5	M18	M18*1.5	M22	M22
		G6	G3/4"	O	其他	-	-	-	-
Custom	Pressure range	0...10 to 2000bar							
152	Screw length	152	152mm	O	Others	-	-	-	-
456	Flex tube length	456	456mm	O	Others	-	-	-	-
mA	Output signal	mA	4-20mA	5V	0-5V	10V	0-10V	-	-
6	Electronic connection	6	6-pin	8	8-pin	-	-	-	-
P	Thermocouple	P	Pt100	E	E type	J	J type	K	K type
A	Accuracy	A	±0.25%F.S	B	±0.5%F.S	-	-	-	-
/D	Other requests	/A	Third party notarized documents			/B	Inspection report		
		/C	Tag			-	-		

Order example: PT-HTM - D - M14 - (0~500bar) - 152 - 456 - mA - 6 - P - A - /B