

**Main specifications**

- ▼ **Dimension**  
R 3000: 53 x 127.5 mm  
R 4000: 70 x 149.5 mm  
R 5000: 90 x 178 mm
- ▼ **Pipe connection**  
R 3000: 1/4" , 3/8"  
R 4000: 3/8" , 1/2" , 3/4"  
R 5000: 3/4" , 1"  
Specification: G, NPT, PT
- ▼ **Gauge connection**  
R 3000: 1/8" PT  
R 4000: 1/4" PT  
R 5000: 1/4" PT
- ▼ **Adjustable pressure range**  
0.05 to 0.85MPa
- ▼ **Operating temperature**  
-5 to 60°C
- ▼ **Applicable media**  
Gas that compatible with aluminum alloy or SUS 316

**Other Specifications**

- ▼ **Body material**  
Aluminum die casting / SUS 316
- ▼ **Bonnet material**  
Polyacetal with black painting
- ▼ **Diaphragm & O-ring material**  
NBR
- ▼ **Max operating pressure**  
1MPa
- ▼ **Ensured pressure resistance**  
1.5MPa
- ▼ **Filtering element roughness**  
20u

**Pressure Regulator**

**Model: R 3000/4000/5000**

**Introduction**

Adjustable pressure regulators are suitable for pneumatic gas line regulation to maintain the twice setting outlet pressure.

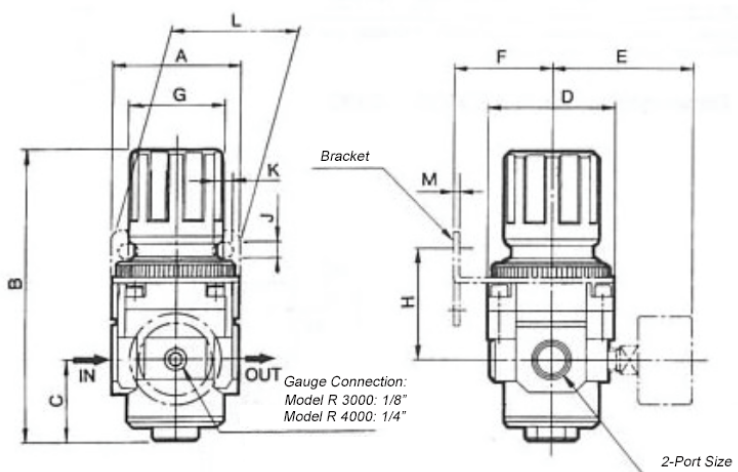


Aluminum Type



SUS 316 Type

**Dimension**



**R 3000/4000**

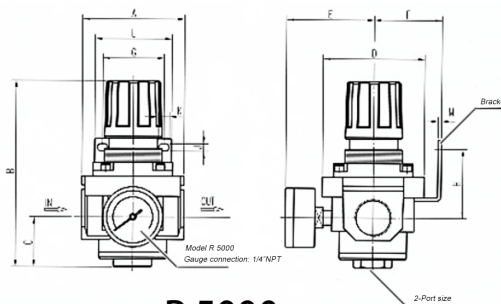
Due to the variety of customization, the picture is only for reference, please confirm the actual item with our sales. (If there is any change on specification, please take the latest version as standard.)

**Features**

- Single regulator unit
- Body material SUS 316 available
- Attached with a mounting bracket
- Regulators come with a pressure gauge and protective cover
- With overflow function (option)
- Outsourcing parts were selected and tested very strictly to ensure its quality

Model	Pipe connection	A	B	C	D	E	F	G	H	J	K	L	M	N
R 3000	1/4" , 3/8"	53	127.5	35	53	60.8	41	40	46	6.5	8	53	2.3	42.5
R 4000	3/8" , 1/2" , 3/4"	70	149.5	37.5	70	65.5	50	54	54	8.5	10.5	70	2.3	52.2

Unit: mm

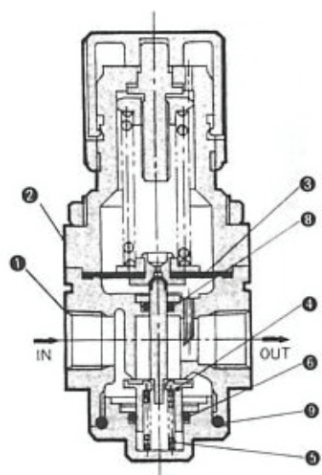


**R 5000**

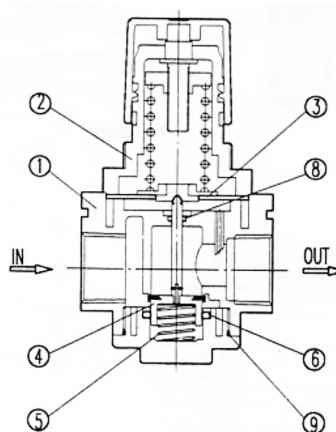
Unit: mm

Model	Pipe connection	A	B	C	D	E	F	G	H	J	K	L	M
R5000	3/4" , 1"	90	164	48	90	75	47	42	63	85	10.5	65	2.3

## Detail assembly drawing



R 3000/4000



R 5000

### Main parts

No.	Part name	Material		
		R 3000	R 4000	R 5000
1	Body	Aluminum die casting with platinum silver painting or SUS 316		
2	Bonnet	Polyacetal with black painting		

### Spare parts

No.	Part name	Material		
		R 3000	R 4000	R 5000
3	Diaphragm assembly	NBR		
4	Valve assembly	Brass, NBR		
5	Valve spring	Stainless steel		
6	Valve O-ring	NBR		
7	Piston mini packing	NBR		
8	O-ring	NBR		
9	O-ring	NBR		

## How order

R		Pressure regulator				
Code	Type					
	3000	3000				
4000	4000					
5000	5000					
Code	Pipe connection size					
	2	1/4"				
3	3/8"					
4	1/2"					
6	3/4"					
8	1"					
Code	Pipe connection specification					
	G	G				
P	PT					
N	NPT					
Code	Body material					
	A	Aluminum die casting				
Code	Valve Type					
	OF	Overflow				
N	None					
Code	Other requests					
	/A	Third party notarized document				
/B	Inspection report (issued by Re-Atlantis)					
/C	Tag					
R	3000	2	P	A	N	Order example: R 3000-2-P-A-N