

Main Specifications

▼ Size

4.5" (157mm with flange)
6" (192mm with flange, for back mount type only)

▼ Installation type

Bottom mount with flange (B)
Back mount with flange (BDE)

▼ Window

PC (4.5") / Glass (6")

▼ Pressure connection

Material: SS304
TIG argon arc welding
1/2" NPT
Other thread specifications please specify before order

▼ Pressure range

Gauge pressure ▼

0...0.6 to 1400bar

Vacuum pressure ▼

-1...0bar

Compound pressure ▼

-1...0 to 20bar

▼ Applicable fluid

Liquid and gas that compatible with SS304

▼ Ambient temperature

-40°C to +60°C

▼ Fluid temperature

Dry: +120°C

Glycerin: +100°C

Silicone oil: +200°C

▼ Protection level

IP 54 (standard) / IP65 (option)

Other Specifications

▼ Ring

Aluminum; solid front design
Epoxy coating

▼ Case

SS304

▼ Pointer

Aluminum with black enamel
Micrometer zero adjustable

▼ Dial face

Aluminum, black scale on white background

▼ Measuring element

Bourdon tube

Material: SS304

▼ Movement

SS304

▼ Blow off disc & gasket

Neoprene

▼ Accuracy

0.5%

▼ Operating pressure

75% of max. scale value

▼ Overpressure

≤ 100bar:

125% of max. scale value

100 to 600bar:

115% of max. scale value

600 to 1600bar:

110% of max. scale value

Aluminum Case Solid Front Pressure Gauge

Model: SF-0.5AC

Introduction

SF-0.5AC pressure adopts aluminum case with stainless steel measuring system. The solid front design is reinforced at the front, providing a blow-out back safety case design. A solid partition wall between the front of the gauge and the Bourdon tube system will redirect the released energy to the back of the gauge in which the blow-out back of the safety case design redirects any loose parts or media to exit through the back of the gauge.

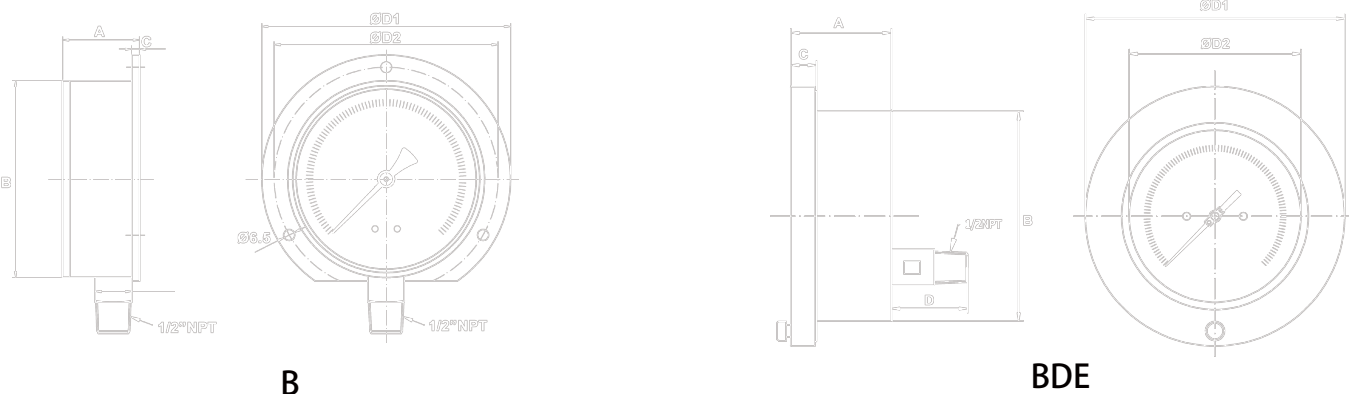


Due to the variety of customization, the picture is only for reference, please confirm the actual item with our sales. (If there is any change on specification, please take the latest version as standard.)

Features

- OEM Service
- Case adopts aluminum alloy with stainless steel measuring system
- In-bult temperature compensation components
- Accuracy 0.5%
- Zero adjustment button on front flange
- The solid front design, reinforced front and blowout back ensure operator will not be harmed by accidental explosion
- The high and low point stop plate are installed in pressure gauge to ensure steady operation
- The aluminum case can be replaced by steel
- The blow-out back design ensures pressure will not overload

Installation type



How to order

SF-0.5AC Aluminum Case Solid Front Pressure Gauge												
Std.	Specifications	Code	Item	Code	Item	Code	Item	Code	Item	Code	Item	
045	Size	045	4.5"	06	6"	-	-	-	-	-	-	
BDE	Installation type	B	Bottom mount with back flange	BDE	Back mount with front flange	-	-	-	-	-	-	
304	Connection material	304	SS304	316	SS316	316L	SS316L	M400	Monel 400	O	Others	
304	Bourdon tube material	304	SS304	316	SS316	316L	SS316L	M400	Monel 400	O	Others	
4	Thread size	4	1/2"	O	Others (please specify)	-	-	-	-	-	-	
N	Thread type	P	BSPT	N	NPT	F	PF	O	Others (please specify)	-	-	
G	Pressure type	G	Gauge pressure	V	Vacuum pressure	CP	Compound pressure	-	-	-	-	
O	Liquid-filling	O	Dry	L	Glycerin	S	Silicone oil	N	Use no oil	-	-	
Custom	Pressure range	Gauge pressure: 0...0.6 to 1400bar Vacuum pressure : -1...0bar Compound pressure:: -1...0 to 20bar Pressure unit on dial face: kg/cm2, bar, psi, Pa, kPa, MPa, atm (Other pressure unit / dual scale can be customized upon request)										
/D	Other requests	/A	Third party notarized document				/B	Inspection report				
		/C	Tag				/D	Customized dial face (scale, color, unit, etc.)				
		/E	Case material SS316				/F	Dampened movement or oil cup				
		/G	Install a diaphragm seal				/H	Epoxy coating				
		/I	Internal stop pin for overpressure protection				/J	Indicator (red, green, yellow)				
		/K	Connection welding seal				/L	Connection O-ring seal				

Order example: SF-0.5AC - 045 - BDE - 304 - 304 - 4 - N - G - O - (0...1 to 10bar) + /D