

Main Specifications	Other Specifications
<p>▼ Size 1.5" , 2" , 2.5" , 3.5"</p> <p>▼ Installation type Bottom mount (A) / Bottom mount with flange (B) / Back mount (ADC) / Back mount with flange (BDC) / Back mount with U-clamp (UDC)</p> <p>▼ Window PC / glass / Acrylic PE gasket</p> <p>▼ Pressure connection Material: copper alloy Thread size: 1/8" , 1/4" , 3/8" Thread type: BSPT, NPT, PF</p> <p>▼ Pressure range Gauge pressure ▼ 0...1 to 28bar Negative pressure ▼ -1...0bar / -76...0cmHg Compound pressure ▼ -1...0 to 20bar</p> <p>▼ Applicable fluid Liquid and gas that compatible with copper alloy</p> <p>▼ Ambient temperature -40°C to +60°C</p> <p>▼ Fluid temperature +60°C</p> <p>▼ Temperature error Every ±12 °C max. error: ±0.3% F.S</p> <p>▼ Protection level IP 54</p>	<p>▼ Ring material ABS / Steel with black enamel</p> <p>▼ Ring mount Inside bayonet / Outside bayonet / Snap-in For more information please refer to ring mount type-size table</p> <p>▼ Case material ABS / Steel with black enamel</p> <p>▼ Pointer Aluminum with black enamel</p> <p>▼ Dial face Blue and black scale Pressure unit, scale, and color can be customized upon request</p> <p>▼ Measuring elements Diaphragm Material: beryllium copper</p> <p>▼ Movement Dampened movement Material: copper alloy</p> <p>▼ Accuracy ±2.5% (Option: ±1.6%, ±1%)</p> <p>▼ Operating pressure Stabilization 3/4* full scale Fluctuation 2/3* full scale Impulse 1* full scale</p>

Black Steel Case Shockproof Dry Pressure Gauge

Model: SP-EPG

Introduction

SP Series pressure gauge adopts diaphragm as measuring element to ensure great shockproof performance. SP series are suitable for high vibration frequency environment with use no oil requirement.



Due to the variety of customization, the picture is only for reference, please confirm the actual item with our sales. (If there is any change on specification, please take the latest version as standard)

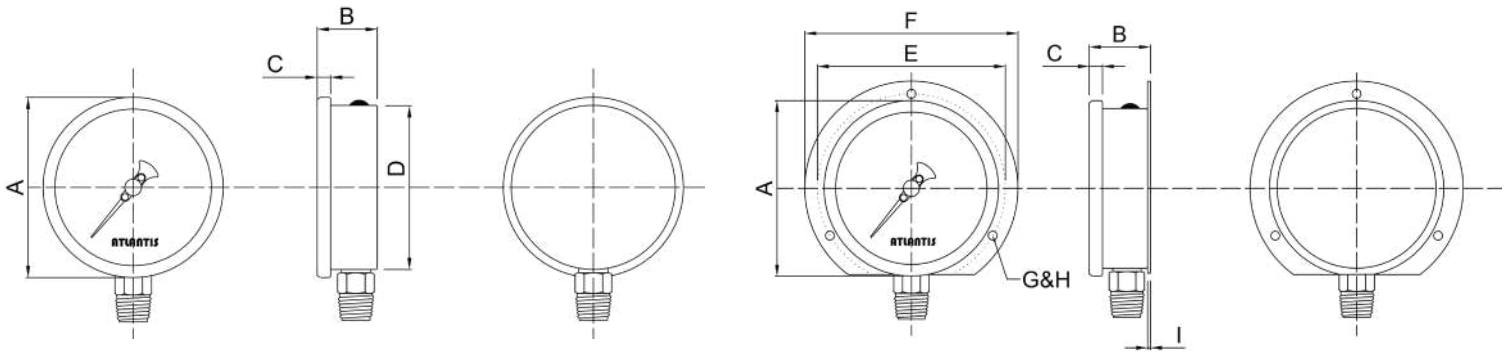
Features

- OEM service
- Adopts diaphragm as measuring element, providing shockproof performance without filling liquid
- Dampened movement
- Instant pressure resistance
- Shatterproof performance
- Long service life

Ring mount type-size table

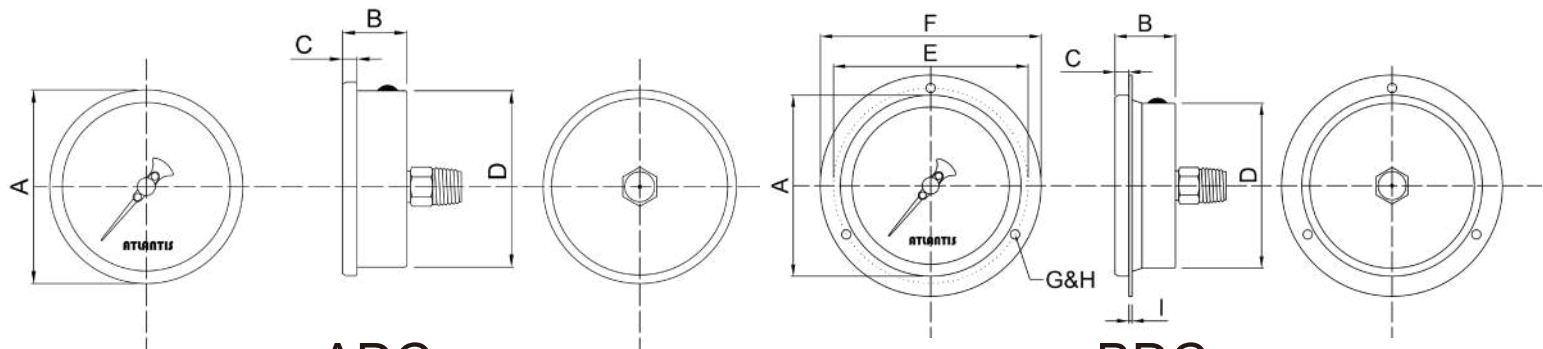
Ring mount	1.5"	2"	2.5"	3.5"
Inside bayonet		●	●	●
Outside bayonet	●	●	●	
Snap-in		●	●	

Installation type



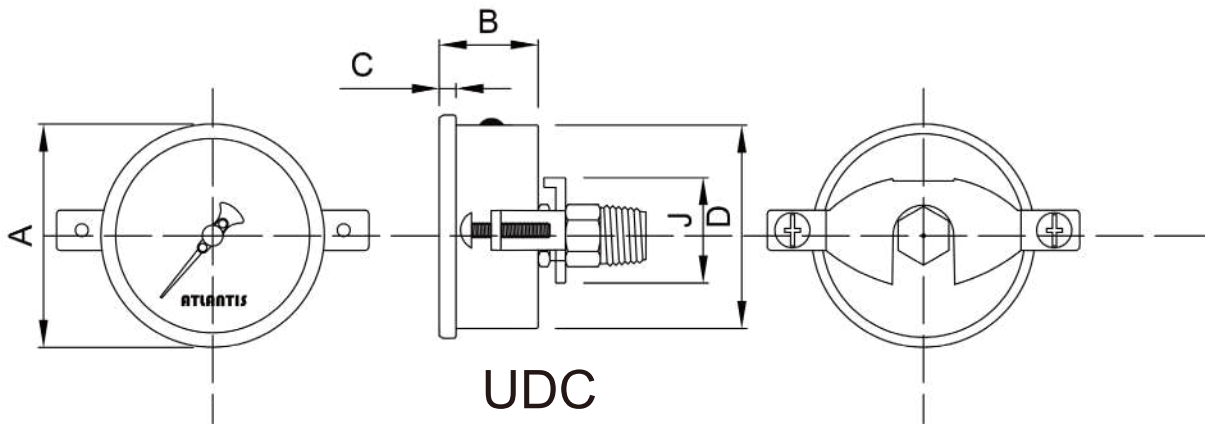
A

B



ADC

BDC



UDC

Installation type-size table

Installation type	1.5"	2"	2.5"	3.5"
A	●	●	●	●
B			●	
ADC	●	●	●	
BDC		●	●	
UDC	●	●	●	

How to order

SP-EPG Black Steel Case Shockproof Dry Pressure Gauge										
Std.	Spec.	Code	Item	Code	Item	Code	Item	Code	Item	
02	Size	015	1.5"	02	2"	025	2.5"	035	3.5"	
A	Installation type	A	Bottom mount	B	Bottom mount with flange	ADC	Back mount	BDC	Back mount with flange	
		UDC	Back mount with U-clamp	-	-	-	-	-	-	
OB	Ring mount	IB	Inside bayonet	OB	Outside bayonet	SN	Snap-in	-	-	
BS	Ring & case material	BS	Steel with black enamel	ABS	Reinforced plastic	-	-	-	-	
B	Connection material	B	Copper alloy	O	Others	-	-	-	-	
B	Diaphragm material	B	Beryllium copper	O	Others	-	-	-	-	
2	Thread size	1	1/8"	2	1/4"	3	3/8"	-	-	
N	Thread type	P	BSPT	N	NPT	F	PF	O	Others	
Custom	Pressure range	Gauge pressure – (0...1 to 28bar) Negative pressure – (-1...0bar) Compound pressure – (-1...0...1 to 20bar) Pressure unit (psi, bar, kPa, kg/cm2, MPa, inHg, mmHg, cmHg, etc...) & single / dual scale can be customized upon request								
B	Accuracy	A	±1%	B	±1.6%	C	±2.5%	-	-	
/D	Other requests	/A	Third party notarized documents			/B	Inspection report			
		/C	Tag			/D	Customized dial (scale, color, unit, etc.)			
		/E	Install a diaphragm seal			/F	Internal stop pin for overpressure protection			
		/G	Epoxy coating			/H	Indicator (red, green, yellow)			
		/I	Peak hold pointer			/J	Silicone rubber sealed window			
		/M	Chrome-plated thread			/L	Chrome-plated ring (Only available for black steel case type)			

Order example: SP-EPG - 02 - A - OB - BS - B - B - 2 - N - (0...0.6 to 10bar) - B + /D