

Main Specifications	Other Specifications
<p>▼ Size (mm) 100 x 130 x 45</p> <p>▼ Output continuation section M20*1.5</p> <p>▼ Pressure range -0.1 to 60 MPa</p> <p>▼ Operating temperature -10~50°C</p> <p>▼ Ambient humidity <95%</p> <p>▼ Atmospheric pressure 86~106 kPa</p> <p>▼ Temperature compensation 0~50°C</p>	<p>▼ Screen display 6-digitLCD with backlight</p> <p>▼ DC output DC 24Voutput (≤30mA)</p> <p>▼ Current measurement 0~25mA</p> <p>▼ Voltage measurement 0~25V</p> <p>▼ Accuracy ±0.5% / ±0.2% / ±0.1% / ±0.05% / ±0.02%</p> <p>▼ Communication interface RS232</p> <p>▼ Power supply Lithium battery power supply</p> <p>▼ Battery life Continuous operation for 80 hours</p> <p>▼ Weight 750g</p>

Smart Pressure Calibration Instrument

Model: SPC-H4.5

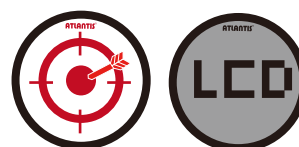
Introduction

SPC-H4.5 is a professional portable pressure calibrator that features pressure measurement as well as high-precision DC voltage and current measurement capabilities. It undergoes high and low temperature aging and temperature compensation processes before leaving the factory to ensure the accuracy and stability of the product. It is suitable for on-site calibration of precision pressure gauges, general pressure gauges, blood pressure monitors, and other instruments.

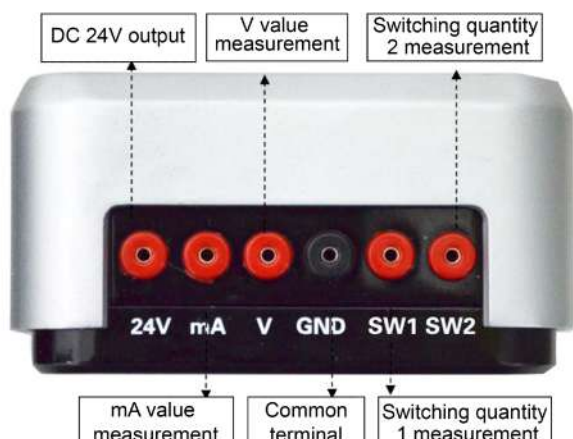


Features

- Accuracy can reach up to ±0.02%F.S.
- Automatic temperature compensation
- Dual-row display on LCD screen, easy to set up, with backlight
- Two-point calibration function, 9 pressure units available
- Overpressure alarm function
- Factory reset function



Wiring diagram



Due to the variety of customization, the picture is only for reference, please confirm the actual item with our sales. (If there is any change on specification, please take the latest version as standard.)