

Main Specifications

▼ Size
4"
▼ Installation type
Bottom mount / Back mount
▼ Window
Glass
▼ Pressure connection
Material: SS316
G3/8" male thread
Thread nipple outer dia. Ø5mm
1/2" BSPT
1/2" NPT male thread
R1/8" male thread
Integrated structure
TIG welding
▼ Pressure range
-1...0 to 1000bar
▼ Applicable media
Liquid and gas that compatible with SS304
▼ Liquid-filling
Dry pressure gauge
No oil-filling
▼ Ambient temperature
-20°C to +60°C
▼ Media temperature
Max. 180°C

Other Specifications

▼ Case
SS304
Snap-in bezel
Non-hermetic case
▼ Pointer
Aluminum with black enamel
▼ Dial face
White dial with all black scale
Pressure unit, scale, color, etc. can be customized upon request
▼ Measuring elements
Bourdon tube
Material: SS316L
▼ Movement
Copper alloy
▼ Accuracy
≤1.6%
▼ Operating pressure
0.75* full scale (recommended)

All Stainless Steel Steam Pressure Gauge

Model: SPG-SUS

Introduction

SPG-SUS All stainless steel pressure gauge is suitable for measuring the steam pressure in the boiler or water tank, can accurately measure the boiler or tank vapor pressure value.

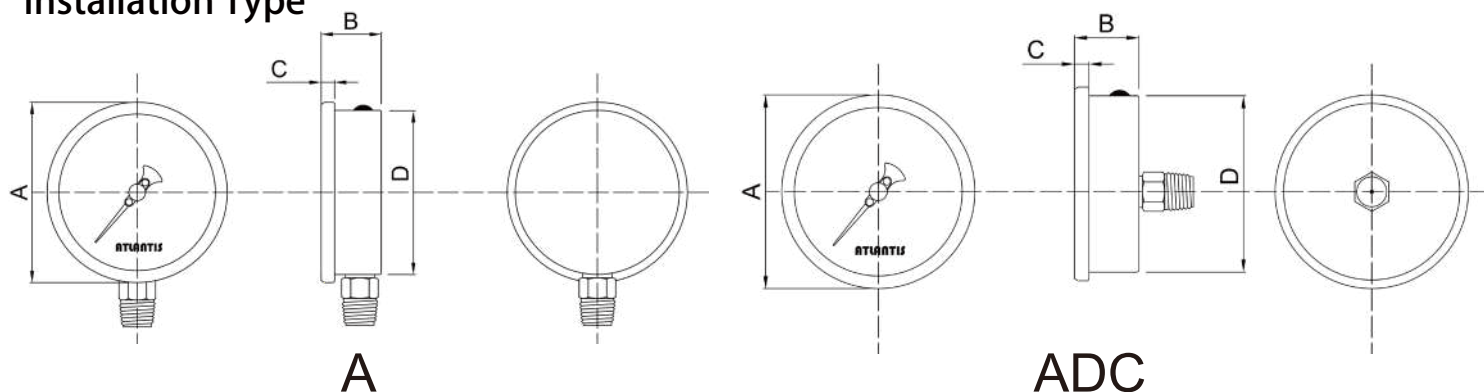


Due to the variety of customization, the picture is only for reference, please confirm the actual item with our sales. (If there is any change on specification, please take the latest version as standard.)

Features

- Specially design for steam pressure measurement
- Dry pressure gauge, max media temp. 180°C
- Snap-in bezel, non-hermetic case
- Adopts SS 316 as material of Bourdon tube and connection
- Accuracy ≤1.6%

Installation Type



How to order

SPG-SUS		All Stainless Steel Steam Pressure Gauge			
Code	Size				
04	4"				
Code	Installation type				
A	Bottom mount				
ADC	Back mount				
Code	Pressure connection				
3G	G3/8" male thread				
4N	1/2" NPT male thread				
4B	1/2" BSPT male thread				
1R	R1/8" male thread				
O	Others (please specify)				
Code	Pressure range				
Custom	-1...0 to 1000bar				
Code	Other demands				
/A	Third party notarized documents				
/B	Inspection report				
/C	Tag				
/D	Customized dial face (scale, color, etc.)				
/E	SPG-SC - Stainless steel case type (Connection material - copper alloy, case material - SS304, Bourdon tube material - copper alloy)				
/F	SPG-EPG - Black steel case type (Connection material - copper alloy, case material - steel with black enamel, Bourdon tube material - copper alloy)				
SPG-SUS	04	A	3G	0~25bar	Order example: SPG-SUS-04-A-3G-(0~25bar)