

## Main Specifications

## ▼ Pressure connection

Material: stainless steel  
 M20x1.5  
 G1/2"  
 G1/4"  
 1/4" NPT  
 Other connection specifications are available made-to-order

## ▼ Pressure range

-0.1~250 MPa

## ▼ Applicable fluid

Gas and liquid that compatible with stainless steel

## ▼ Operating temperature

-20 to 85°C

## ▼ Protection level

IP66

## Other Specifications

## ▼ Housing

Stainless steel (standard) /  
 Aluminum die casting

## ▼ Power supply

12~36VDC (standard: 24V)

## ▼ Screen display

4.5-digit LCD display /  
 4-digit LED display

## ▼ Measuring elements

Diaphragm

Material:

SS316L (standard)/ Ceramic

## ▼ Resistive load

≤ 750Ω

## ▼ Zero &amp; span temp. drift

±0.02% F.S.

## ▼ Accuracy

0.1/0.25/0.5% F.S.

## ▼ Repeatability

≤ 0.1/0.25/0.5% F.S.

## ▼ Stability

±0.25% F.S. / year

## ▼ Overpressure

3\*F.S.

## ▼ Response time

≤ 1ms

## ▼ Other requests (Option)

Third party notarized documents

Inspection report

Tag

## Pressure Transmitter

## Model: SPT-EP

## Introduction

SPT-EP pressure transmitter adopts high quality SS316L diaphragm/ceramic pressure sensor. It features 4-digit LCD display. The easy installation and field operation makes SPT-EP suitable in hydraulic, petroleum, chemical, electrical system and auto industrial process control.



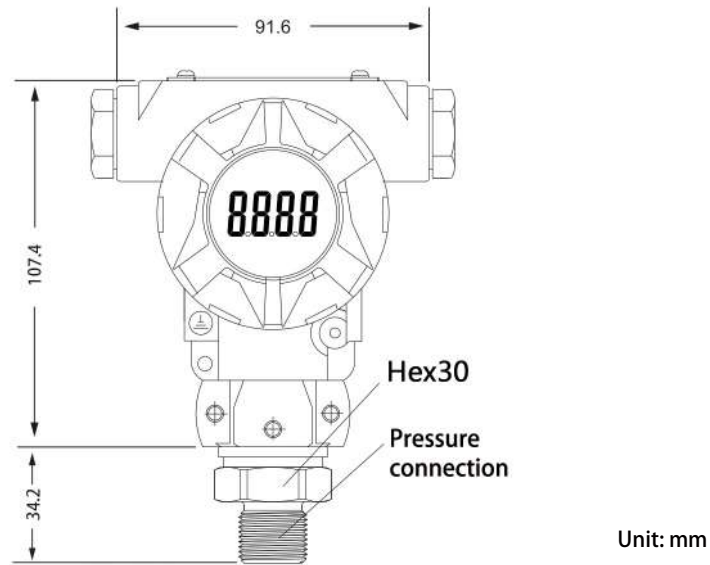
Due to the variety of customization, the picture is only for reference, please confirm the actual item with our sales.

(If there is any change on specification, please take the latest version as standard.)

## Features

- OEM service
- 4.5-digit LCD display
- Various pressure units available
- Suitable for extensive data collecting and auto control system

## Dimension



## How to order

SPT-EP Pressure Transmitter									
Std.	Spec.	Code	Item	Code	Item	Code	Item	Code	Item
M	Pressure connection	M	M20x1.5	4G	G1/2"	2G	G1/4"	2N	1/4" NPT
		O	Others	—	—	—	—	—	—
SS	Housing	SS	Stainless steel	A	Aluminum die casting	—	—	—	—
24V	Power supply	24V	24V	O	Others	—	—	—	—
S1	Screen display	S1	4.5-digit LCD display	S2	4-digit LED display	—	—	—	—
316L	Material of measuring element	316L	SS316L	C	Ceramic	—	—	—	—
Custom	Pressure range	-0.1~250 MPa							
01	Accuracy	01	0.1	02	0.2	05	0.5	—	—

Order example: SPT-EP - M - SS - 24V - S1 - 316L - (0...100MPa) - 01