

Main Specifications

▼Type

Lever type / Seal type

▼Pressure range

0.1 to 25 kg/cm²

▼Operating temperature

Min.: -196°C

Max.: 350°C

▼Applicable fluid

Steam / air / liquid that compatible with Stainless steel

Stainless Steel Full Bore Safety Valve

Model: SSV-FB Series

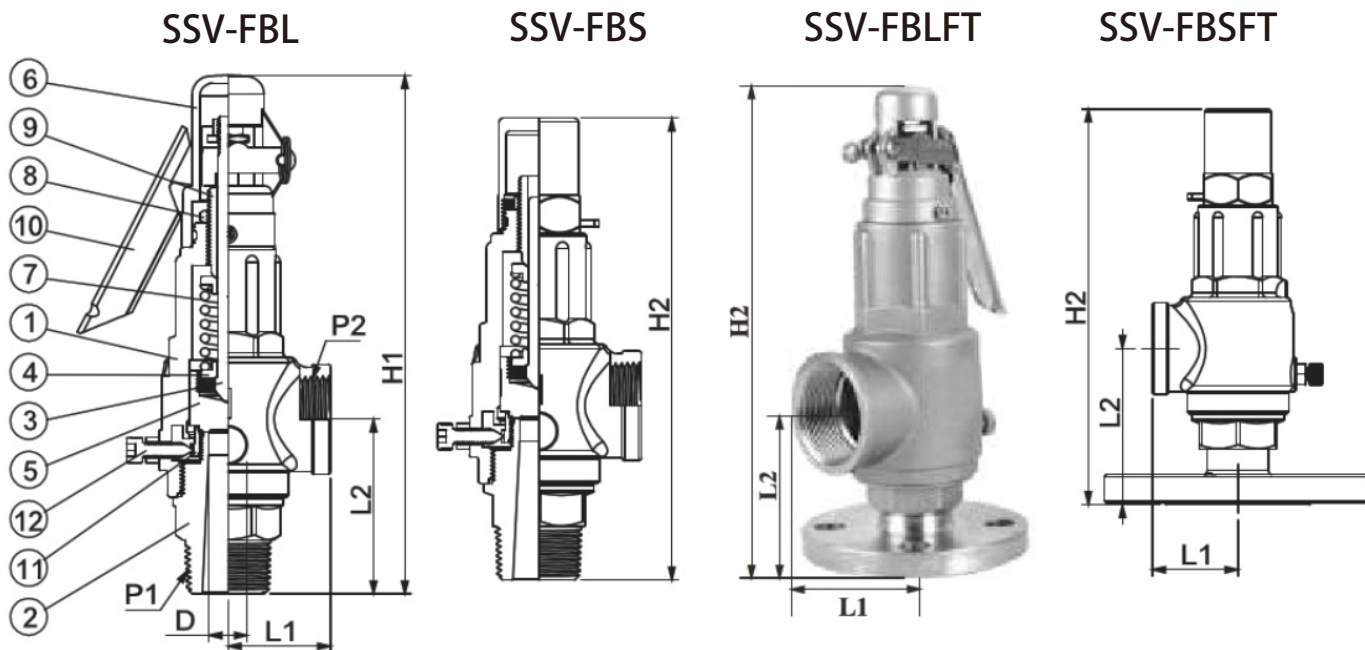


SSV-FB Series list

Lever type	Seal type
SSV-FBL	SSV-FBS
SSV-FBLFT	SSV-FBSFT



Due to the variety of customization, the picture is only for reference, please confirm the actual item with our sales. (If there is any change on specification, please take the latest version as standard.)



Material Table

NO	Type	SSV-FBL	SSV-FBS	SSV-FBLFT	SSV-FBSFT
	Name				
1	Valve Body	CF8 / CF8M	CF8 / CF8M	CF8 / CF8M	CF8 / CF8M
2	Valve Seat	CF8 / CF8M	CF8 / CF8M	CF8 / CF8M	CF8 / CF8M
3	Stem	SS304	SS304	SS304	SS304
4	Spring Seat	SS304	SS304	SS304	SS304
5	Disc	SS304 / SS316	SS304 / SS316	SS304 / SS316	SS304 / SS316
6	Cap	CF8	CF8	CF8	CF8
7	Spring	SS304	SS304	SS304	SS304
8	Nut	SS304	SS304	SS304	SS304
9	Adjust screw	SS304	SS304	SS304	SS304
10	Landle	SS304	-	SS304	-
11	Low ring	SS304	SS304	SS304	SS304
12	Fix screw	SS304	SS304	SS304	SS304
Operating temperature		-196°C~350°C			

Dimension (Model SSV-FBL / SSV-FBS)

P1	D	P2	P2	L1	L2	H1	H2
1/2"	14	1"	4	40	60.8	194.8	172.8
3/4"	15	1"	4	40	65.4	199.4	177.4
1"	15	1"	4	40	68	202	180
1"	19	1-1/4"	5	52	72	217.9	196.7
1-1/2"	30	2"	7	66	92	282.9	259.4
2"	30	2"	7	66	93	283.9	260.4
2"	43	2-1/2"	7	76.5	103.5	300.9	277.4
2-1/2"	43	2-1/2"	7	76.5	104.5	301.9	278.4

Unit: mm

Dimension (SSV-FBLFT / SSV-FBSFT)

P1	D	P2	移距	L1	L2	H1	H2
1/2"	14	1"	4	40	65.8	199.8	177.8
3/4"	15	1"	4	40	70.4	204.4	182.4
1"	15	1"	4	40	73	207	185
1"	19	1-1/4"	5	52	77	222.2	201.7
1-1/2"	30	2"	7	66	98	288.9	265.4
2"	30	2"	7	66	99	289.9	266.4
2"	43	2-1/2"	7	76.5	109.5	306.9	283.4
2-1/2"	43	2-1/2"	7	76.5	110.5	307.9	284.4

Unit: mm