

Main Specifications

▼ Type

Lever type / Seal type

▼ Pressure range

0.1 to 40 kg/cm²

▼ Operating temperature

Min.: -196°C

Max.: 200°C

▼ Applicable fluid

Steam / air / liquid that compatible with Stainless steel

Safety Valve

Model: SV Series

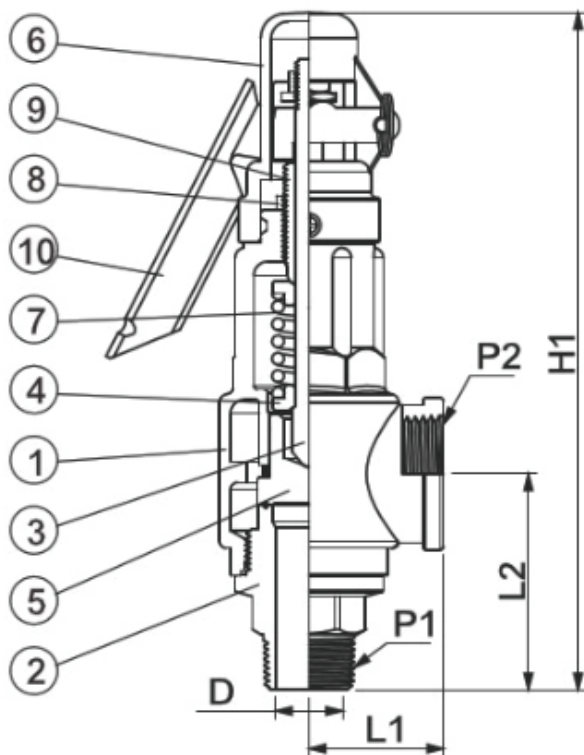


Due to the variety of customization, the picture is only for reference, please confirm the actual item with our sales. (If there is any change on specification, please take the latest version as standard.)

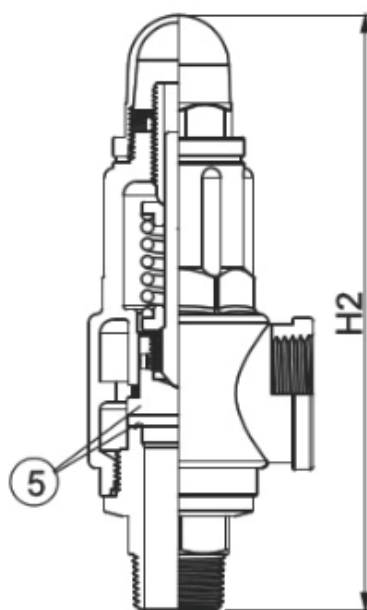
SV Series list

Lever type	Seal type
SV-LS	SV-SS
SV-LSV	SV-SSV
SV-LST	SV-SST

SV-LS



SV-SSV / SV-SST



Material Table

NO	Type	SV-LS	SV-SS	SV-LSV	SV-SSV	SV-LST	SV-SST
	Name						
1	Valve Body	Bronze	Bronze	Bronze	Bronze	Bronze	Bronze
2	Valve Seat	CF8 / CF8M	CF8 / CF8M	CF8 / CF8M	CF8 / CF8M	CF8 / CF8M	CF8 / CF8M
3	Stem	SUS304	SUS304	Brass	Brass	Brass	Brass
4	Spring Seat	Brass	Brass	Brass	Brass	Brass	Brass
5	Disc	SUS304	SUS304	SUS304+ VITON	SUS304+ VITON	SUS304+ PTFE	SUS304+ PTFE
6	Cap	Bronze	Bronze	Bronze	Bronze	Bronze	Bronze
7	Spring	Steel	Steel	Steel	Steel	Steel	Steel
8	Nut	Brass	Brass	Brass	Brass	Brass	Brass
9	Adjust Screw	Brass	Brass	Brass	Brass	Brass	Brass
10	Handle	Steel	-	Steel	-	Steel	-
Operating temperature		-196°C~200°C		-40°C~200°C		-185°C~200°C	

Dimension

P1	D	P2	Lift	L1	L2	H1	H2
1/2"	15	3/4"	1.04	35	53.5	169	144.6
3/4"	19.5	1"	1.52	39	62.5	196	172.1
1"	21	1"	1.52	39	68	201.5	177.6
1"	26	1-1/4"	2	52	73.5	214.5	196.1
1-1/4"	33	1-1/2"	2.56	58.5	88.5	245.5	227.1
1-1/2"	39	2"	3.04	64.5	100.5	284.5	258.1
2"	39	2"	3.04	64.5	103.5	287.5	261.1
2"	50	2-1/2"	4	72	110	303	276.6
2-1/2"	50	2-1/2"	6	72	110	33	276.6

Unit : mm