

Main Specifications	Other Specifications
<p>▼Type</p> <p>A - All SS304</p> <p>B - SS304+SS316</p> <p>C - PVC</p> <p>▼Connection</p> <p>Size: 1/2" or 3/4"</p> <p>Flange connection</p> <p>Flange material▼</p> <p>A - SS304 / B - SS 316 / C - PVC</p> <p>▼Tube material</p> <p>Glass / PVC / Acrylic</p> <p>▼Optional Accessories</p> <p>Ball check /</p> <p>Vent cock /</p> <p>Drain cock</p>	<p>▼Body material</p> <p>A - SS304 / B - SS 316 / C - PVC</p> <p>▼Valve material</p> <p>A - SS304 / B - SS 316 / C - PVC</p> <p>▼Tube protector material</p> <p>A - SS304 / B - SS 304 / C - PVC</p> <p>▼Support rack material</p> <p>SS304</p> <p>▼Sealing gasket</p> <p>Neoprene / Viton / Teflon</p> <p>▼Max. operating pressure</p> <p>Max. 4kg/cm²</p> <p>▼Max. operating temperature</p> <p>+100°C</p>

Tubular Level Gauge

Model: TLG-T Series

Introduction

TLG-T Series tubular level gauge can be installed at outside of the tank to observe the inside liquid level.

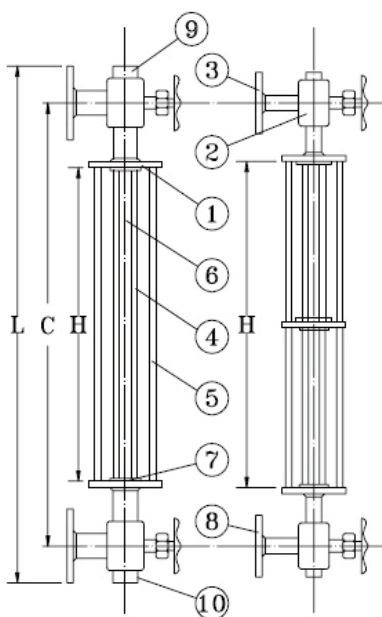


Due to the variety of customization, the picture is only for reference, please confirm the actual item with our sales. (If there is any change on specification, please take the latest version as standard.)

Features

- OEM service
- Transparent tube with external support rack
- 90 degree angle valves at both ends can be used to isolate inside / outside of the tank
- Tube protector is used to prevent internal tube be damaged by external forces

Dimension



Number	Part
1	Body
2	Valve
3	Flange
4	Tube protector
5	Support rack
6	Tube
7	Sealing gasket
8	Ball check
9	Vent cock
10	Drain cock

Size code table

Size Code	03	05	08	10	12	15	18	20
Length								
L	400	600	900	1100	1300	1600	1900	2100
C	300	500	800	1000	1200	1500	1800	2000
H	200	400	700	900	1100	1400	1700	1900
Segment	1	1	1	1	1	2	2	2

Unit: mm

How to order

TLG-T Series		Tubular Level Gauge				
Code		Type				
A		All SS304				
B		SS304+SS316				
C		PVC				
Code		Size				
08		Please refer to size code table and select corresponding code				
Code		Connection				
1/2F		1/2" Flange				
3/4F		3/4" Flange				
O		Other (please specify)				
Code		Tube material				
G		Glass				
P		PVC				
A		Acrylic				
Code		Sealing gasket				
N		Neoprene				
V		Viton				
T		Teflon				
Code		Other requests				
/A		Third party notarized document				
/B		Inspection report (issued by Re-Atlantis)				
/C		Ball check				
/D		Vent cock				
/E		Drain cock				
TLG-T	A	08	3/4F	G	N	Order example: TLG-TA-08-3/4F-G-N+/E